

# LT24990~99 Series

LED Spotlight-Canless  
 Regressed Interchangeable 5-6"

Catalog #		Type
Project		Date
Prepared by		





CUTOUT

5.19"

WITH 5" TRIMS

6.22"

WITH 6" TRIMS

### INTERCHANGEABLE TRIMS

\*SOLD SEPARATELY

5"



LT24992



LT24994

6"



LT24993



LT24995



LT24998



LT24999

CRI  
90

COLOR SELECTABLE

2700K 3000K 3500K 4000K 5000K

DIMMABLE

TRIAC

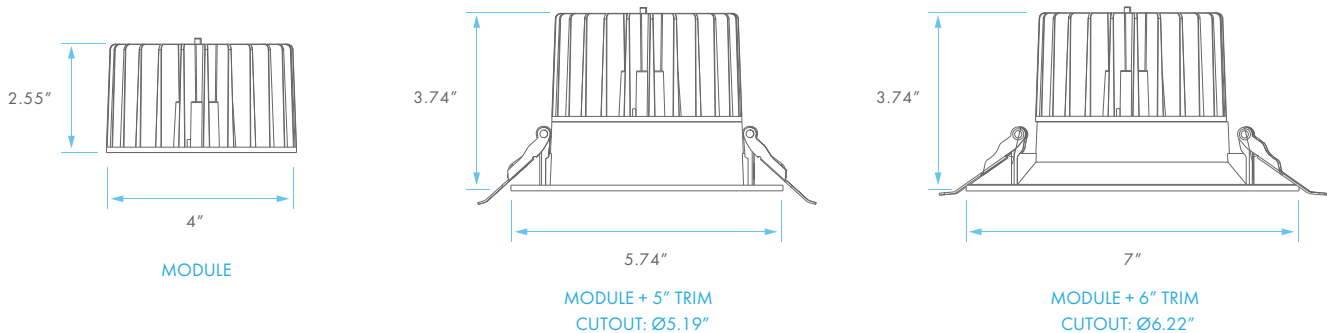
IC  
RATED

HIGH  
OUTPUT

AIR  
TIGHT

WET  
LOCATION  
RATED

5  
YEAR  
WARRANTY



## ELECTRICAL

MODULE	MODEL	DESCRIPTION	POWER	INPUT VOLTS	EFFICACY	FLOOD	LIFETIME	COST/YR
	LT24990	LED/DLMD5-6HO/5CCT/D	22	120V	77	38°	50,000	\$ 2.64

## PHOTOMETRIC

MODEL	DESCRIPTION	COLOR (CCT)	LUMEN	CRI	ETL	ENERGY STAR	PLATE (KNOCKOUT)
LT24990	LED/DLMD5-6HO/5CCT/D	2700K	1700	90	YES	YES	LR41004 (#3) w/ 5" TRIM
		3000K					
		3500K					
		4000K					
		5000K					

COMPATIBLE WITH:



**LT41004**  
New Construction Mounting Plate

**KNOCKOUTS**

#0 #1 #2 #3

**KNOCKOUT SIZE**

#0	Ø2.125" (Ø54 mm)
#1	Ø2.83" (Ø72 mm)
#2	Ø3.75" (Ø95 mm)
#3	Ø5.19" (Ø132 mm)

**LT41002**  
New Construction Mounting Plate

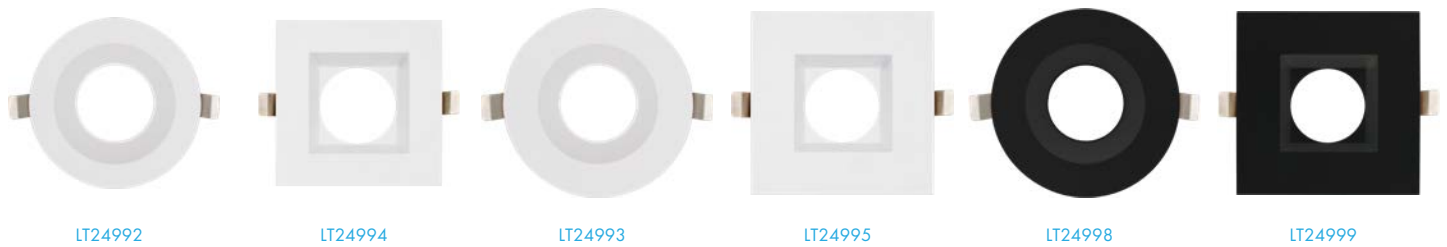
**KNOCKOUTS**

#0 #1 #2

**KNOCKOUT SIZE**

#0	Ø3.14" (Ø80 mm)
#1	Ø4.33" (Ø110 mm)
#2	Ø6.29" (Ø160 mm)

## INTERCHANGEABLE TRIMS



	MODEL	DESCRIPTION	FINISH
5"	LT24992	LED/DLMD5-6/TRIM5/RD/W	5" ROUND SMOOTH WHITE
	LT24994	LED/DLMD5-6/TRIM5/SQ/W	5" SQUARE SMOOTH WHITE
6"	LT24993	LED/DLMD5-6/TRIM6/RD/W	6" ROUND SMOOTH WHITE
	LT24995	LED/DLMD5-6/TRIM6/SQ/W	6" SQUARE SMOOTH WHITE
	LT24998	LED/DLMD5-6/TRIM6/RD/BK	6" ROUND SMOOTH BLACK
	LT24999	LED/DLMD5-6/TRIM6/SQ/BK	6" SQUARE SMOOTH BLACK