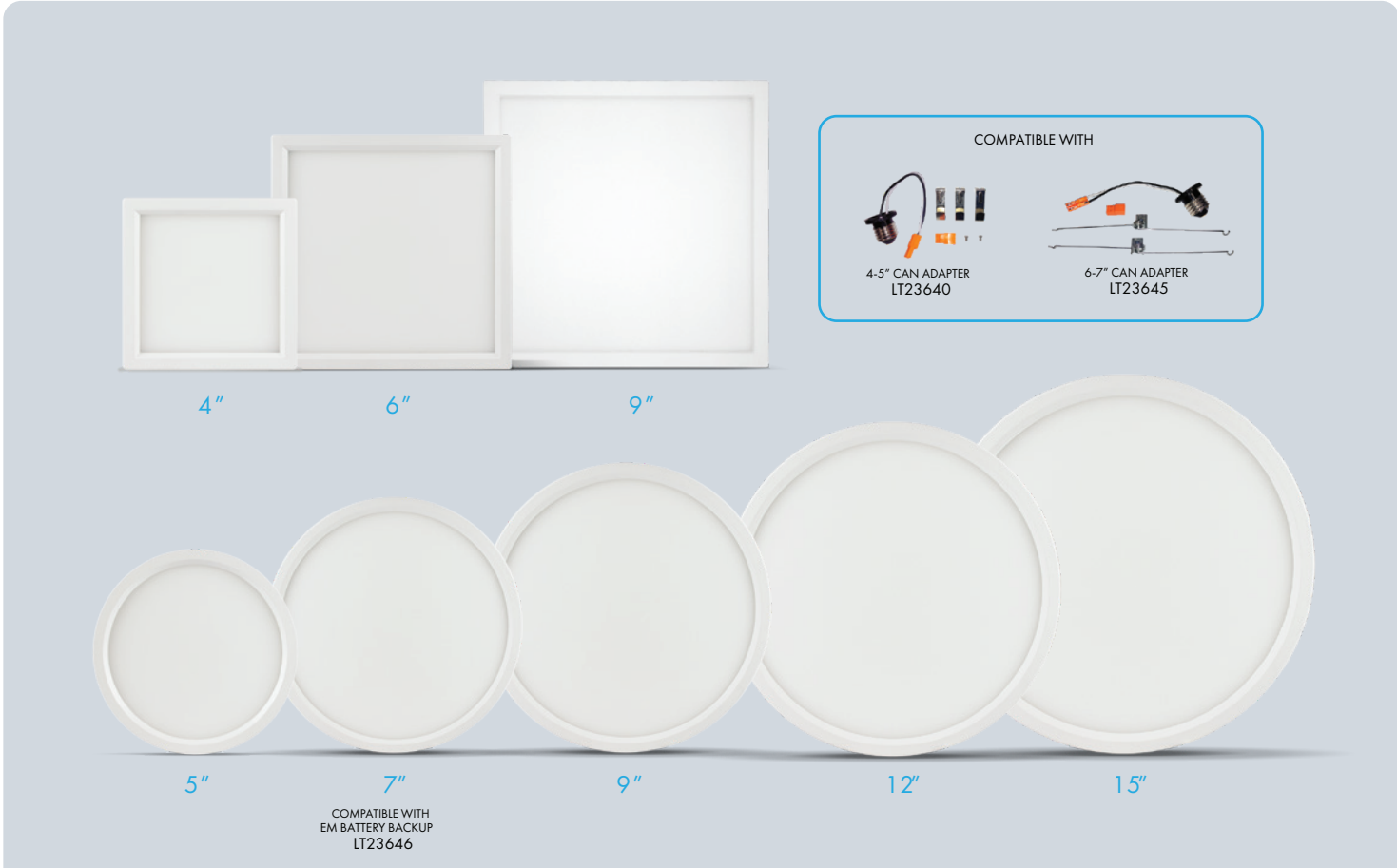


Catalog #		Type
Project		Date
Prepared by		

LT23550~57 Series

LED Surface Mount Slim Series - 5 CCT Selectable
 4", 5", 6", 7", 9", 12", 15" - Round & Square



CRI 80

COLOR SELECTABLE

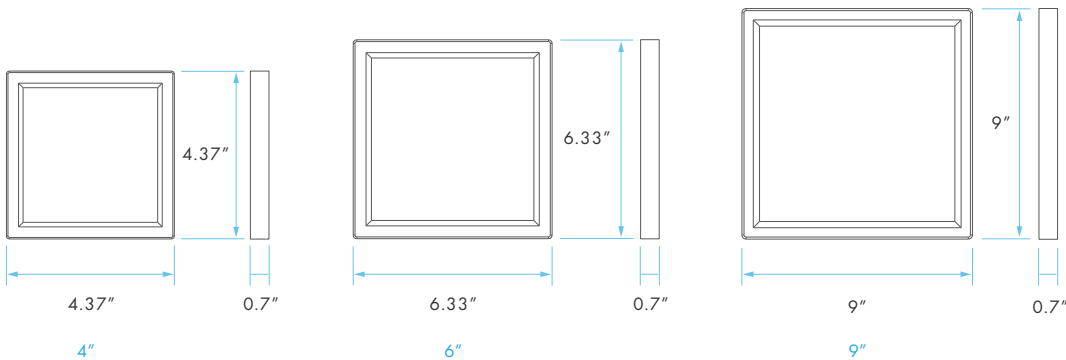
2700K 3000K 3500K 4000K 5000K

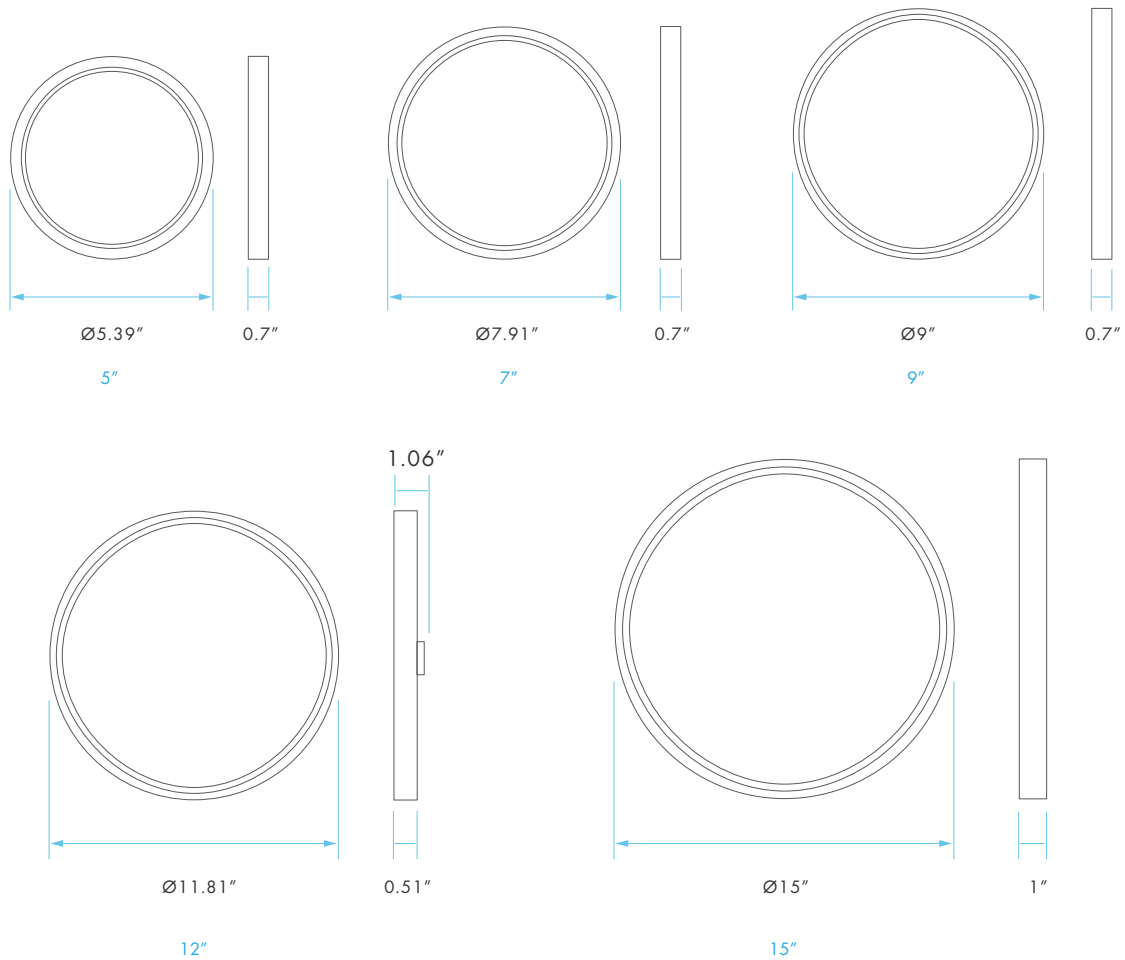
DIMMABLE

TRIAC

WET LOCATION RATED

3 YEAR WARRANTY





ELECTRICAL

		MODEL	DESCRIPTION	POWER	INPUT VOLTS	EFFICACY	LIFETIME	COST/YR
4"	SQ	LT23551	LED10/SLIM4/5CCT/W/SQ	10	120V	60	50,000	\$ 1.20
5"	RD	LT23550	LED10/SLIM5/5CCT/W/RD	10	120V	60	50,000	\$ 1.20
6"	SQ	LT23553	LED15/SLIM6/5CCT/W/SQ	15	120V	63	50,000	\$ 1.81
7"	RD	LT23552	LED15/SLIM7/5CCT/W/RD	15	120V	67	50,000	\$ 1.81
9"	SQ	LT23555	LED18/SLIM9/5CCT/W/SQ	18	120V	67	50,000	\$ 2.17
	RD	LT23554	LED18/SLIM9/5CCT/W/RD	18	120V	67	50,000	\$ 2.17
12"	RD	LT23556	LED22/SLIM12/5CCT/W/RD	22	120V	80	50,000	\$ 2.64
15"	RD	LT23557	LED30/SLIM15/5CCT/W/RD	30	120V	80	50,000	\$ 3.61

PHOTOMETRIC

MODEL	DESCRIPTION	COLOR (CCT)	TEMP	LUMEN	FLOOD	CRI	ETL	ENERGY STAR
LT23551	LED10/SLIM4/5CCT/W/SQ	2700K/3000K /3500K/4000K/5000K	CCT SELECT	600	90°	80	YES	YES
LT23550	LED10/SLIM5/5CCT/W/RD	2700K/3000K /3500K/4000K/5000K	CCT SELECT	600	90°	80	YES	YES
LT23553	LED15/SLIM6/5CCT/W/SQ	2700K/3000K /3500K/4000K/5000K	CCT SELECT	900	90°	80	YES	YES
LT23552	LED15/SLIM7/5CCT/W/RD	2700K/3000K /3500K/4000K/5000K	CCT SELECT	900	90°	80	YES	YES
LT23555	LED18/SLIM9/5CCT/W/SQ	2700K/3000K /3500K/4000K/5000K	CCT SELECT	1200	90°	80	YES	YES
LT2355	LED18/SLIM9/5CCT/W/RD	2700K/3000K /3500K/4000K/5000K	CCT SELECT	1200	90°	80	YES	YES
LT23556	LED22/SLIM12/5CCT/W/RD	2700K/3000K /3500K/4000K/5000K	CCT SELECT	1800	90°	80	YES	YES
LT23557	LED30/SLIM15/5CCT/W/RD	2700K/3000K /3500K/4000K/5000K	CCT SELECT	2000	120°	80	YES	YES

CAN ADAPTER

*SOLD SEPARATELY

4-5" CAN ADAPTER
*SOLD SEPARATELY



MODEL	DESCRIPTION	SIZE
LT23640	LED/SLIM4-5/CAN-ADAPTER	4-5"

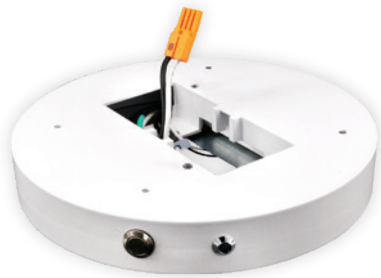
6-7" CAN ADAPTER
*SOLD SEPARATELY



MODEL	DESCRIPTION	SIZE
LT23645	LED/SLIM6-7/CAN-ADAPTER	6-7"

EMERGENCY BATTERY BACKUP

7" SLIM BRACKET



LT23646
*SOLD SEPARATELY

MODEL	DESCRIPTION	POWER
LT23646	LED15/SLIM7/RD/EMPK	15



LT23646B
*SOLD SEPARATELY

MODEL	DESCRIPTION
LT23646B	LED15/SLIM7/RD/EMPK/EMPTY

TRIM REPLACEMENT



AVAILABLE IN 5", 7", 9"



AVAILABLE IN 4", 6", 9"

		MODEL	DESCRIPTION	FINISH
SQ	4"	LT23677	LED10/SLIM4/SQ/TRIM/BK	BLACK
		LT23679	LED10/SLIM4/SQ/TRIM/BN	BRUSHED NICKEL
	6"	LT23683	LED15/SLIM6/SQ/TRIM/BK	BLACK
		LT23685	LED15/SLIM6/SQ/TRIM/BN	BRUSHED NICKEL
	8"	LT23689	LED18/SLIM9/SQ/TRIM/BK	BLACK
		LT23691	LED18/SLIM9/SQ/TRIM/BN	BRUSHED NICKEL
RD	5"	LT23674	LED10/SLIM5/RD/TRIM/BK	BLACK
		LT23676	LED10/SLIM5/RD/TRIM/BN	BRUSHED NICKEL
	7"	LT23680	LED15/SLIM7/RD/TRIM/BK	BLACK
		LT23682	LED15/SLIM7/RD/TRIM/BN	BRUSHED NICKEL
	9"	LT23686	LED18/SLIM9/RD/TRIM/BK	BLACK
		LT23688	LED18/SLIM9/RD/TRIM/BN	BRUSHED NICKEL