

3-4" UNIVERSAL MAGNETIC INTERCHANGEABLE DISK - 5 CCT SELECTABLE LT24980~4 Series

READ CAREFULLY BEFORE INSTALLING FIXTURE. KEEP THESE INSTRUCTIONS FOR FUTURE REFERENCE.

THIS FIXTURE MUST BE WIRED IN ACCORDANCE WITH THE NATIONAL ELECTRICAL CODE AND ALL APPLICABLE LOCAL CODES. PROPER GROUNDING IS REQUIRED FOR SAFETY. THIS PRODUCT MUST BE INSTALLED IN ACCORDANCE WITH THE APPLICABLE INSTALLATION CODE BY A PERSON FAMILIAR WITH THE CONSTRUCTION AND OPERATION OF THE PRODUCT AND THE HAZARDS INVOLVED.

WARNING

- **RISK OF ELECTRIC SHOCK** - DISCONNECT POWER AT FUSE OR CIRCUIT BREAKER BEFORE INSTALLING OR SERVICING.
- TO PREVENT EARLY LAMP FAILURE, LAMP SHOULD ONLY BE INSTALLED IN OPERATING ENVIRONMENTS RANGING BETWEEN -20° C AND + 40° C (-4° F AND 104° F)
- NO USER SERVICEABLE PARTS INSIDE, TO AVOID ELECTRICAL SHOCK DO NOT DISASSEMBLE PRODUCT.
- **RISK OF FIRE OR ELECTRIC SHOCK** - LED RETROFIT KIT INSTALLATION REQUIRES KNOWLEDGE OF LUMINAIRE ELECTRICAL SYSTEMS. IF NOT QUALIFIED, DO NOT ATTEMPT INSTALLATION. CONTACT A QUALIFIED ELECTRICIAN.
- **RISK OF FIRE OR ELECTRIC SHOCK** - INSTALL THIS KIT ONLY IN LUMINAIRE THAT HAVE THE CONSTRUCTION FEATURES AND MIN DIMENSIONS SHOWN ON FIGURE 1, AND WHERE THE INPUT RATING OF THE RETROFIT KIT DOES NOT EXCEED THE INPUT RATING OF THE LUMINAIRE.
- **DO NOT MAKE OR ALTER ANY OPEN HOLES IN AN ENCLOSURE OF WIRING OR ELECTRICAL COMPONENTS DURING KIT INSTALLATION.**
- TO PREVENT WIRING DAMAGE OR ABRASION, DO NOT EXPOSE WIRING TO EDGES OF SHEET METAL OR OTHER SHARP OBJECTS.
- INSTALLERS SHOULD NOT DISCONNECT EXISTING WIRES FROM LAMPHOLDER TERMINALS TO MAKE NEW CONNECTIONS AT LAMPHOLDER TERMINALS, INSTEAD, INSTALLERS SHOULD CUT EXISTING LAMPHOLDER LEADS AWAY FROM THE LAMPHOLDER AND MAKE NEW ELECTRICAL CONNECTIONS TO LAMPHOLDER LEAD WIRES BY EMPLOYING APPLICABLE CONNECTORS.
- **THIS FIXTURE IS ACCEPTED AS A COMPONENT OF A LUMINAIRE WHERE THE SUSTAINABILITY OF THE COMBINATION SHALL BE DETERMINED BY AUTHORITIES HAVING JURISDICTION.**
- **THIS DEVICE IS NOT INTENDED FOR USE WITH EMERGENCY EXITS.**
- THIS FIXTURE IS SUITABLE FOR WET LOCATIONS LUMINAIRE SPECIFIED AS BELOW: TYPE NON IC; TYPE IC; COVERED CEILING; UNCOVERED CEILING.
- INSTALLERS SHOULD EXAMINE ALL PARTS THAT ARE NOT INTENDED TO BE REPLACED BY THE FIXTURE DAMAGE AND REPLACE ANY DAMAGED PARTS PRIOR TO INSTALLATION OF THE FIXTURE

NOTE 1: This equipment has been tested and found to comply with the limits for a Class B digital device, pursuant to part 15 of the FCC rules. These limits are designed to provide reasonable protection against harmful interference in a residential installation. This equipment generates, uses and can radiate radio frequency energy and, if not installed and used in accordance with the instructions, may cause harmful interference to radio or television reception, which can be determined by turning the equipment off and on, the user is encouraged to try to connect the interference by one or more of the following measures:

- Reorient or relocate the receiving antenna.
- Increase the separation between the equipment and receiver.
- Connect the equipment into an outlet on a circuit different from that to which the receiver is connected.
- Consult the dealer on an experienced radio/TV technician for help.

NOTE 2: Any changes or modifications to this unit not expressly approved by the party responsible for compliance could void the user's authority to operate the equipment.

TOOL NEEDED: A SCREW DRIVER IS NEEDED FOR INSTALLATION

MIN. LAMP COMPARTMENT DIMENSIONS

INSTALLATION WITH J-BOX

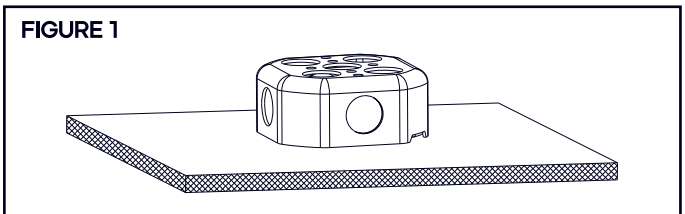
J-BOX Min Volume - 12.56in³, Min Length: 3.2in, Height: 1.57in
Compatible with 4" OCTAGON J-BOX

INSTALLATION WITH EXISTING HOUSING

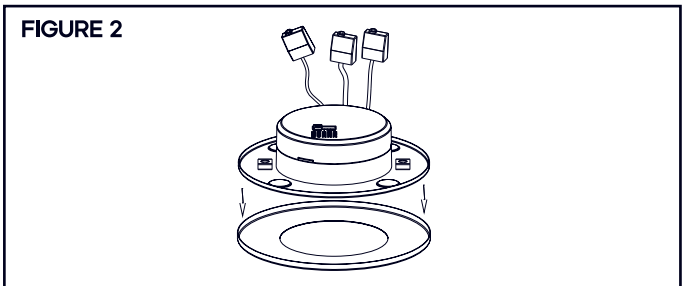
Min lamp compartment dimensions - Dia: 4in, Height: 3.937in
Compatible with most common 4in recessed housings

INSTALLATION WITH J-BOX

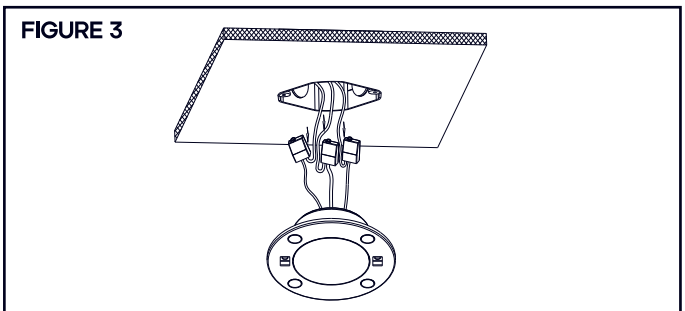
1. MAKE SURE POWER IS TURNED OFF AND THE J-BOX IS FIXED ON THE CEILING SURFACE. (FIG. 1)



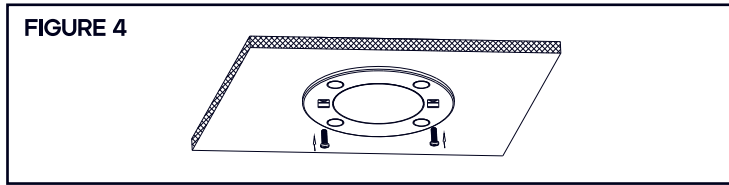
2. TAKE OFF THE EXISTING MAGNETIC TRIM FROM THE FIXTURE. (FIG. 2)



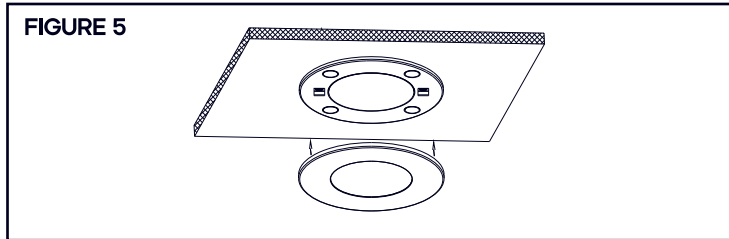
3. SELECT DESIRED COLOR TEMPERATURE. MAKE SURE LIVE (BLACK) AND NEUTRAL (WHITE) WIRES, GROUND (YELLOW & GREEN) WIRE ARE ACCESSIBLE FROM J-BOX. WIRE LIVE (BLACK) WIRE WITH FIXTURE BLACK WIRE AND WIRE NEUTRAL (WHITE) WIRE WITH FIXTURE WHITE WIRE. WIRE GROUND (YELLOW&GREEN) WITH FIXTURE GROUND (YELLOW&GREEN)WIRE. CAREFULLY TUCK WIRES INSIDE J-BOX. (FIG. 3)



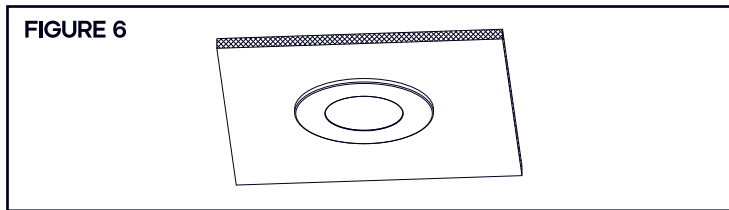
4. PUSH THE FIXTURE WITHOUT TRIM INTO THE J-BOX. SECURE AND LOCK THE FIXTURE WITH THE SCREWS. (FIG. 4)



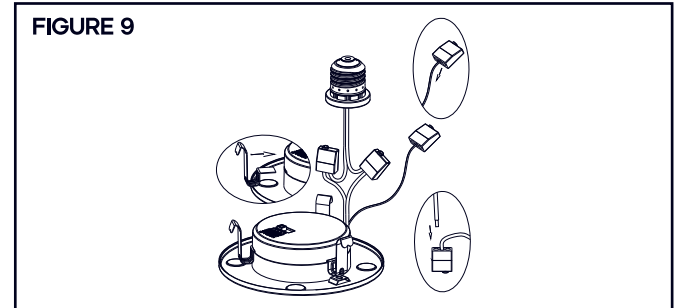
5. FASTEN THE MAGNETIC TRIM TO THE FIXTURE. WHITE TRIM IS INCLUDED. MAGNETIC COLOR TRIM IS AN OPTIONAL ACCESSORY AND SOLD SEPARATELY. (FIG. 5)



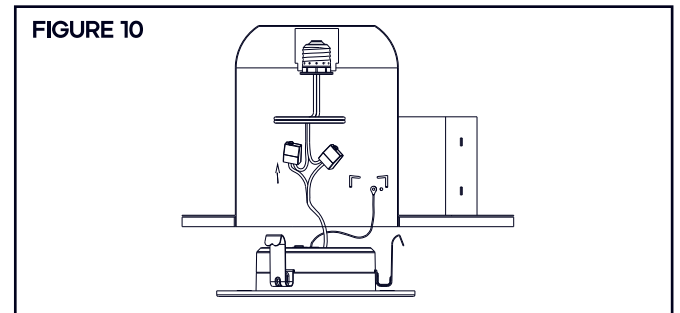
6. MAKE SURE THE FIXTURE IS FLUSH WITH THE CEILING. (FIG. 6)



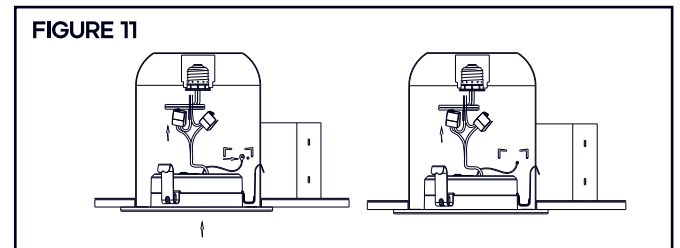
3. SELECT DESIRED COLOR TEMPERATURE. FASTEN THE FRICTION CLIPS INTO THE FIXTURE. (THE FIGURE SHOWN BELOW BY THE ARROW IS THE WAY TO FIX THREE FRICTION CLIPS.) PLUG LIVE (BLACK) AND NEUTRAL (WHITE) WIRES INTO PUSH-IN CONNECTORS. (FIG. 9)



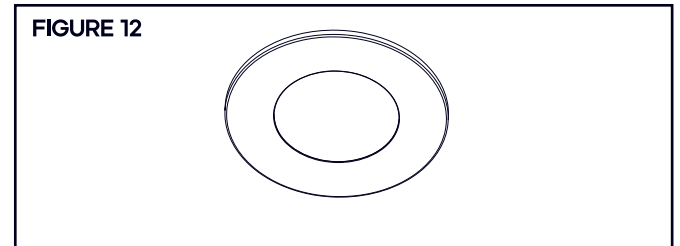
4. SCREW E26 BASE ADAPTER INTO SOCKET IN RECESSED HOUSING. PLUG E26 CABLE CONNECTION INTO RECESSED HOUSING. (FIG. 10)



5. SECURE FIXTURE GROUND (YELLOW&GREEN) WIRE TO THE RECESSED HOUSING. CAREFULLY ROUTE WIRES INTO FIXTURE, SIMPLY SLIDE THE TRIM AND METAL FRICTION CLIPS INTO THE HOUSING FOR TIGHT FIT. (FIG. 11)



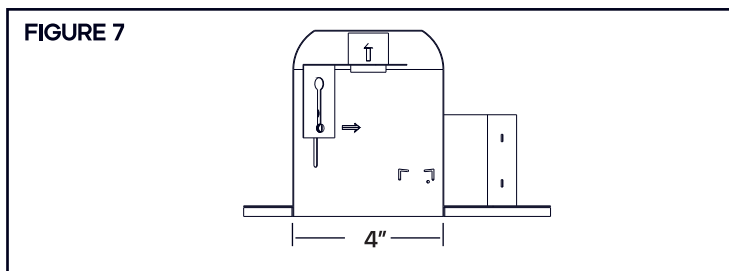
6. PUSH THE LED TRIM INTO THE HOUSING UNTIL FLUSH WITH CEILING (FIG. 12)



NOTE: THESE INSTRUCTIONS DO NOT COVER ALL DETAILS OR VARIATIONS IN EQUIPMENT NOR DO THEY PROVIDE FOR EVERY POSSIBLE SITUATION DURING INSTALLATION, OPERATION OR MAINTENANCE.

INSTALLATION WITH EXISTING HOUSING

1. MAKE SURE POWER IS TURNED OFF AT THE SOURCE TO THE RECESSED HOUSING(S) THAT YOU ARE INSTALLING THE FIXTURE(S) IN. REMOVE EXISTING TRIM AND CFL, OR INCANDESCENT BULBS. UNSCREW THE SCREWS ON SOCKET BRACKET, PUSH BRACKET UPWARD TO THE TOP LOCATION. (FIG. 7)



2. REMOVE EXISTING SOCKET MOUNTING PLATE FROM THE RECESSED HOUSING AND THEN REMOVE LAMP SOCKET FROM THE PLATE. (FIG. 8)

