

LT23861~3 Series

4" & 6" LED Surface Mount Disk Light +
Recessed Can Retrofit

Catalog #		Type
Project		Date
Prepared by		



4"

6"

RETROFIT KIT INCLUDED



E26 ADAPTER



BUTTERFLY CLIP



4" MOUNTING BRACKET

RETROFIT KIT INCLUDED



E26 ADAPTER



6" CAN ADAPTER



COLOR SELECTABLE

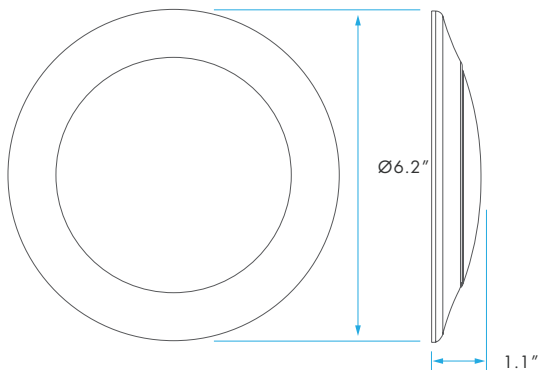
2700K 3000K 3500K 4000K 5000K

DIMMABLE

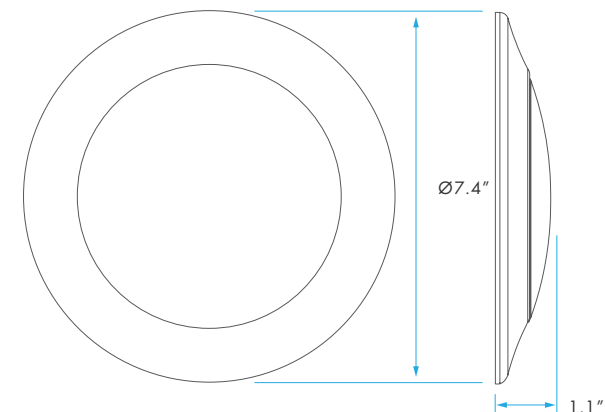
TRIAC



4"



6"



ELECTRICAL

	MODEL	DESCRIPTION	POWER	INPUT VOLTS	EFFICACY	LIFETIME	COST/YR
4"	LT23861	LED10/DISK4/5CCT/RD	10	120V	60	50,000	\$ 1.20
6"	LT23863	LED15/DISK6/5CCT/RD	15	120V	67	50,000	\$ 1.81

PHOTOMETRIC

MODEL	DESCRIPTION	COLOR (CCT)	TEMP	LUMEN	FLOOD	CRI	ETL	ENERGY STAR
LT23861	LED10/DISK4/5CCT/RD	2700K/3000K/3500K/4000K/5000K	CCT SELECT	600	110°	80	YES	YES
LT23863	LED15/DISK6/5CCT/RD	2700K/3000K/3500K/4000K/5000K	CCT SELECT	1000	110°	80	YES	YES