

CMJ-LT562S

120V LED Canopy with J-Box Mounted
Track Lighting - Small

Catalog #		Type
Project		Date
Prepared by		



The CMJ-LT562 series is a high-output LED luminaire that features an adjustable head allowing the optimum positioning of light within a 90° vertical head rotation and a 360° horizontal rotation. It has a modern cylindrical design with no exposed wiring and no separate power supply housing. It is made from premium die-cast aluminum. Available in black or white finish and multiple optics for different beam angles.



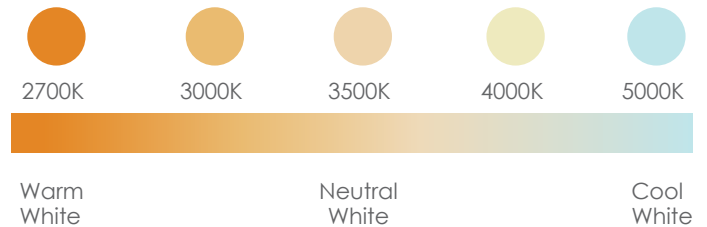
SPECIFICATIONS

INPUT VOLTAGE	120V AC 50/60Hz, 0.1A
WATTAGE	12 W
LUMENS	840 Lm @4000K
CRI	90+
BEAM ANGLE	15°, 24°, 40°
DIMMING ¹	TRIAC Dimming
DIMENSIONS	2 1/2" Ø x 4 3/8" L x 6 1/2" Ext. (63.5 x 111 x 165 mm)
HORIZONTAL AIM	360°
VERTICAL AIM	90°
ENVIRONMENT	Indoor - Dry
CERTIFICATIONS	cETLus
LUMEN MAINTENANCE	50,000 hours
WARRANTY ²	5 years

¹ Effectively dim down to 10%

² See published warranty terms for detailed information

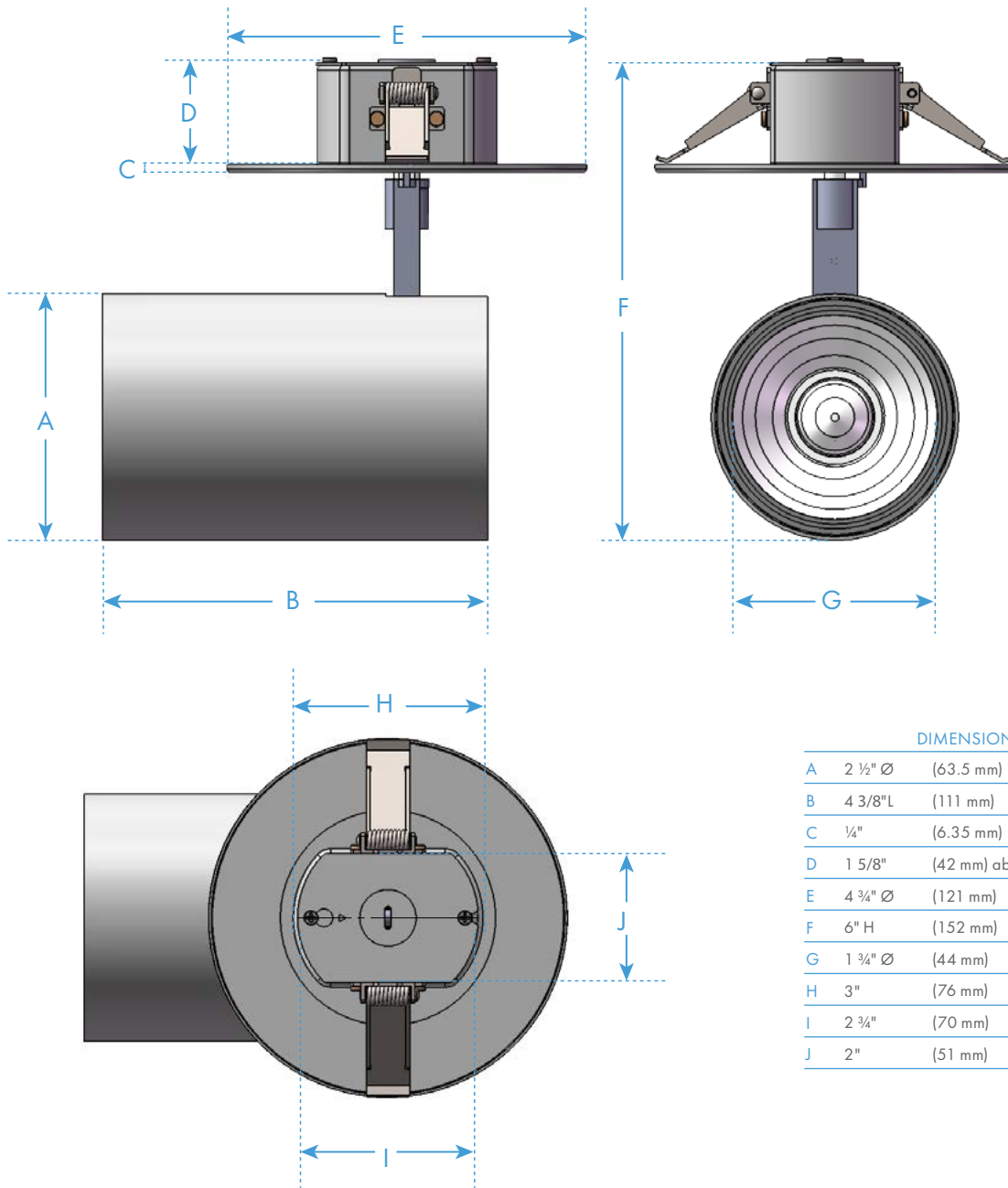
COLOR TEMPERATURE



ORDERING INFO

SYSTEM	SERIES	CCT / CRI	BEAM ANGLE	FINISH
CMJ	LT562S			
CMJ - Canopy with J-Box Mounted	LT562S- 2 1/2" Ø	2790 - 2700K / 90 CRI 3090 - 3000K / 90 CRI 3590 - 3500K / 90 CRI 4090 - 4000K / 90 CRI 5090 - 5000K / 90 CRI	15D - 15° 24D - 24° 40D - 40°	BK - Black WH - White

TECHNICAL DRAWING



DIMENSIONS

A	2 1/2" Ø	(63.5 mm)
B	4 3/8"L	(111 mm)
C	1/4"	(6.35 mm)
D	1 5/8"	(42 mm) above ceiling
E	4 3/4" Ø	(121 mm)
F	6" H	(152 mm)
G	1 3/4" Ø	(44 mm)
H	3"	(76 mm)
I	2 3/4"	(70 mm)
J	2"	(51 mm)

COMPATIBLE DIMMERS

COOPER	SAL06P
LEVITON	6672, 6674, IPL06
LUTRON	TGCL-153PH, LGCL-153PH, MACL-153M, DVCL-153P, CTCL-153P
PASS & SEYMOUR	HCL453P