

CM-LT562M

120V LED Canopy Mounted
Track Lighting - Medium

| | | |
|-------------|--|------|
| Catalog # | | Type |
| Project | | Date |
| Prepared by | | |



The CM-LT562 series is a high-output LED luminaire that features an adjustable head allowing the optimum positioning of light within a 90° vertical head rotation and a 360° horizontal rotation. It has a modern cylindrical design with no exposed wiring and no separate power supply housing. It is made from premium die-cast aluminum. Available in black or white finish and multiple optics for different beam angles.



120V AC



TRIAC DIMMABLE



3SDCM



360°



90°



DRY INDOOR

L70
50,000
HOURS

5 YEAR
WARRANTY



Intertek

SPECIFICATIONS

| | |
|-----------------------|---|
| INPUT VOLTAGE | 120V AC 50/60Hz, 0.18A |
| WATTAGE | 22 W |
| LUMENS | 1900 Lm @4000K |
| CRI | 90+ |
| BEAM ANGLE | 15°, 24°, 40° |
| DIMMING ¹ | TRIAC Dimming |
| DIMENSIONS | 3 1/4"Ø x 5 1/8"L x 7" Ext. (80 x 130 x 178 mm) |
| HORIZONTAL AIM | 360° |
| VERTICAL AIM | 90° |
| ENVIRONMENT | Indoor - Dry |
| CERTIFICATIONS | cETLus |
| LUMEN MAINTENANCE | 50,000 hours |
| WARRANTY ² | 5 years |

¹ Effectively dim down to 10%

² See published warranty terms for detailed information

COLOR TEMPERATURE



2700K



3000K



3500K



4000K



5000K

Warm
White

Neutral
White

Cool
White

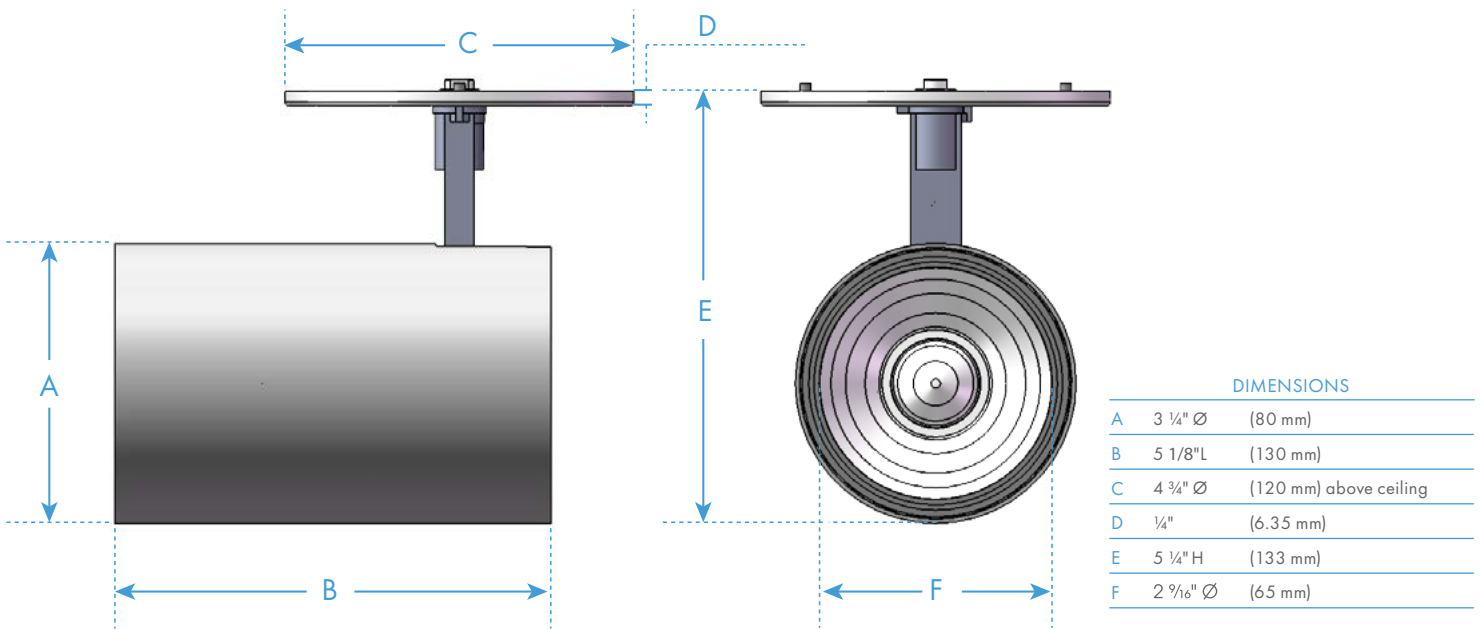
ORDERING INFO

| SYSTEM | SERIES | CCT / CRI | BEAM ANGLE | FINISH |
|---------------------|-------------------|---|-------------------------------------|--------------------------|
| CM | LT562M | | | |
| CM - Canopy Mounted | LT562M - 3 1/4" Ø | 2790 - 2700K / 90 CRI 3090 - 3000K / 90 CRI 3590 - 3500K / 90 CRI 4090 - 4000K / 90 CRI 5090 - 5000K / 90 CRI | 15D - 15° 24D - 24° 40D - 40° | BK - Black WH - White |

05/05/2023



TECHNICAL DRAWING



COMPATIBLE DIMMERS

| | |
|----------------|---|
| COOPER | SAL06P |
| LEVITON | 6672, 6674, IPL06 |
| LUTRON | TGCL-153PH, LGCL-153PH, MACL-153M, DVCL-153P, CTCL-153P |
| PASS & SEYMOUR | HCL453P |