

CM-LT562L

120V LED Canopy Mounted
Track Lighting - Large

Catalog #		Type
Project		Date
Prepared by		



The CM-LT562 series is a high-output LED luminaire that features an adjustable head allowing the optimum positioning of light within a 90° vertical head rotation and a 360° horizontal rotation. It has a modern cylindrical design with no exposed wiring and no separate power supply housing. It is made from premium die-cast aluminum. Available in black or white finish and multiple optics for different beam angles.



120V AC



TRIAC
DIMMABLE



3SDCM



360°



90°



DRY
INDOOR

L70
50,000
HOURS

5
YEAR
WARRANTY



ETL
INTERTEK
US

SPECIFICATIONS

INPUT VOLTAGE	120V AC 50/60Hz, 0.3A
WATTAGE	36 W
LUMENS	2700 Lm @4000K
CRI	90+
BEAM ANGLE	15°, 24°, 40°
DIMMING ¹	TRIAC Dimming
DIMENSIONS	3 7/8" Ø x 6" L x 8" Ext. (98 x 154 x 203 mm)
HORIZONTAL AIM	360°
VERTICAL AIM	90°
ENVIRONMENT	Indoor - Dry
CERTIFICATIONS	cETLus
LUMEN MAINTENANCE	50,000 hours
WARRANTY ²	5 years

¹ Effectively dim down to 10%

² See published warranty terms for detailed information

COLOR TEMPERATURE



2700K



3000K



3500K



4000K



5000K

Warm
White

Neutral
White

Cool
White

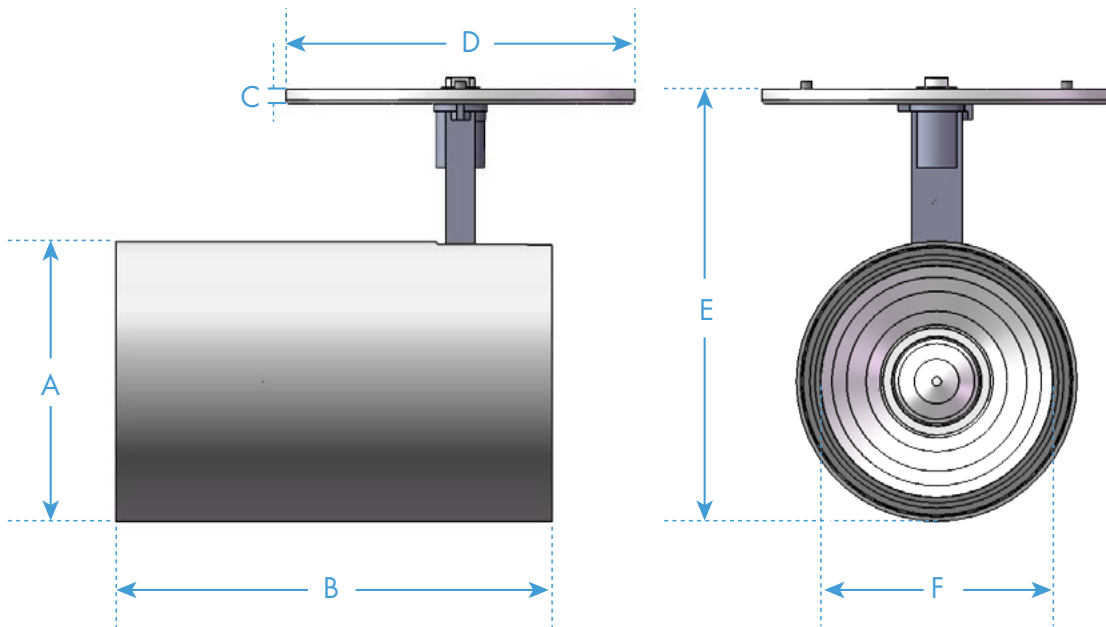
ORDERING INFO

SYSTEM	SERIES	CCT / CRI	BEAM ANGLE	FINISH
CM	LT562L			
CM - Canopy Mounted	LT562L - 3 7/8" Ø	2790 - 2700K / 90 CRI 3090 - 3000K / 90 CRI 3590 - 3500K / 90 CRI 4090 - 4000K / 90 CRI 5090 - 5000K / 90 CRI	15D - 15° 24D - 24° 40D - 40°	BK - Black WH - White

05/05/2023



TECHNICAL DRAWING



DIMENSIONS

A	3 7/8" Ø	(98 mm)
B	6"L	(152 mm)
C	1/4"	(6.35 mm)
D	4 3/4" Ø	(120 mm) above ceiling
E	5 7/8" H	(149 mm)
F	3 1/8" Ø	(80 mm)

COMPATIBLE DIMMERS

COOPER	SAL06P
LEVITON	6672, 6674, IPL06
LUTRON	TGCL-153PH, LGCL-153PH, MACL-153M, DVCL-153P, CTCL-153P
PASS & SEYMOUR	HCL453P