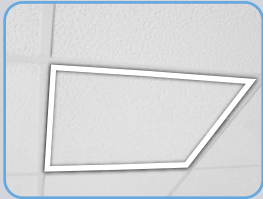


LT24188/85/87 Series

LED Lay In Frame Panel - CCT & Wattage Selectable
1X4', 2X2', 2X4'

Catalog #		Type
Project		Date
Prepared by		

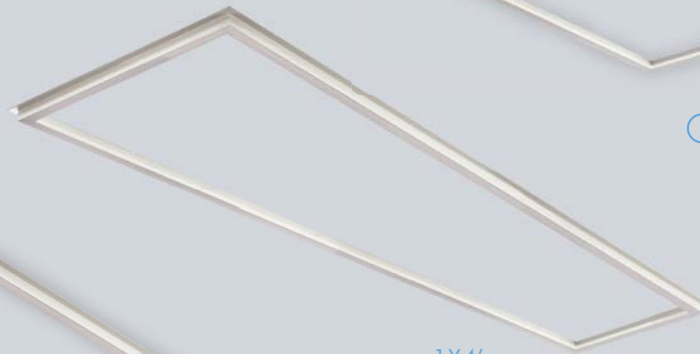


FRAME PANEL IN USE



2X2'

20W | 30W | 40W



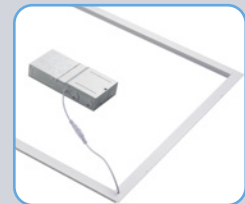
1X4'

20W | 30W | 40W

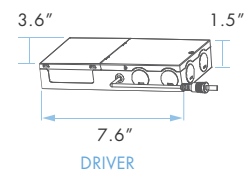
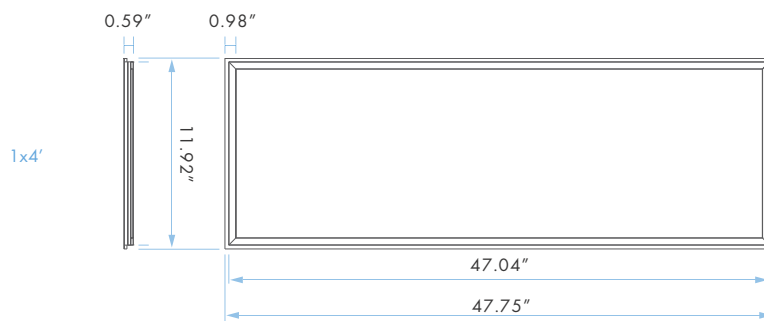
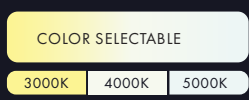


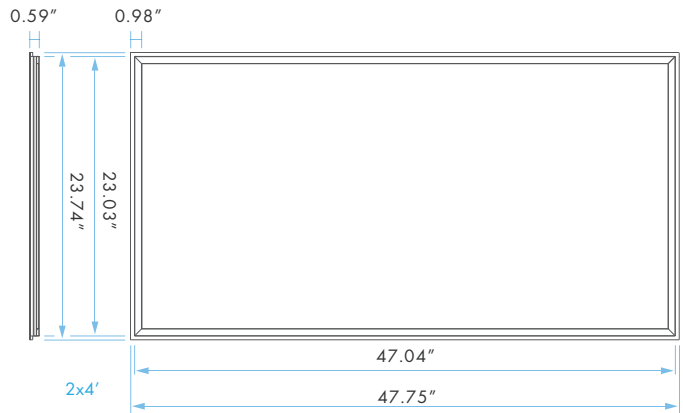
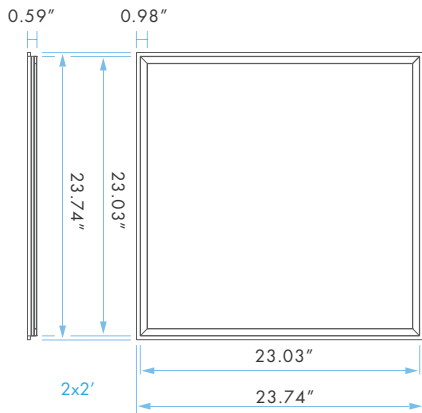
2X4'

40W | 50W | 60W



DRIVER WITH CCT & WATTAGE SELECT SWITCH





ELECTRICAL

	MODEL	DESCRIPTION	POWER	INPUT VOLTS	EFFICACY	LIFETIME	COST/YR
1x4'	LT24188	LED1X4FRAME/PNL/3WO/3CCT/D	20	100-277V	125	50,000	\$ 3.61
			30				
			40				
2x2'	LT24185	LED2X2FRAME/PNL/3WO/3CCT/D	20	100-277V	125	50,000	\$ 4.81
			30				
			40				
2x4'	LT24187	LED242FRAME/PNL/3WO/3CCT/D	40	100-277V	125	50,000	\$ 7.22
			50				
			60				

PHOTOMETRIC

MODEL	DESCRIPTION	COLOR (CCT)	TEMP	LUMEN	FLOOD	CRI	ETL	DLC
LT24188	LED1X4FRAME/PNL/3WO/3CCT/D	3000K /4000K/5000K	CCT SELECT	2500 (@20W)	120°	80	YES	
				3750 (@30W)				
				5000 (@40W)				
LT24185	LED2X2FRAME/PNL/3WO/3CCT/D	3000K /4000K/5000K	CCT SELECT	2500 (@20W)	120°	80	YES	YES
				3750 (@30W)				
				5000 (@40W)				
LT24187	LED242FRAME/PNL/3WO/3CCT/D	3000K /4000K/5000K	CCT SELECT	5000 (@40W)	120°	80	YES	YES
				6250 (@50W)				
				7500 (@60W)				

COMPATIBLE WITH:

LT 35124
Emergency LED Driver



LT24183
4' CABLE EXTENDER



2X2 FRAME PANEL CANOPY

COMPATIBLE WITH LT24185

*SOLD SEPARATELY

MODEL

DESCRIPTION

LT24184

LED2X2FRAME/PNL/CANOPY



FRAME PANEL CANOPY IN USE