

LT22630~44 Series

LED Spotlight - Canless Regressed Mini Panel
 CCT Selectable 3", 4", 5", 6"



Catalog #		Type
Project		Date
Prepared by		



3"

4"

5"

6"



COLOR SELECTABLE

2700K 3000K 3500K 4000K 5000K

DIMMABLE

TRIAC

HIGH OUTPUT

IC RATED

WET LOCATION RATED

5 YEAR WARRANTY

COMPATIBLE WITH:

LT35126
Emergency LED Driver

COMPATIBLE WITH:
 3" - LT22630, LT22638
 4" - LT22632, LT22640

LT35124
Emergency LED Driver

COMPATIBLE WITH:
 5" - LT22634, LT22642
 6" - LT22636, LT22644

LT41002
New Construction Mounting Plate

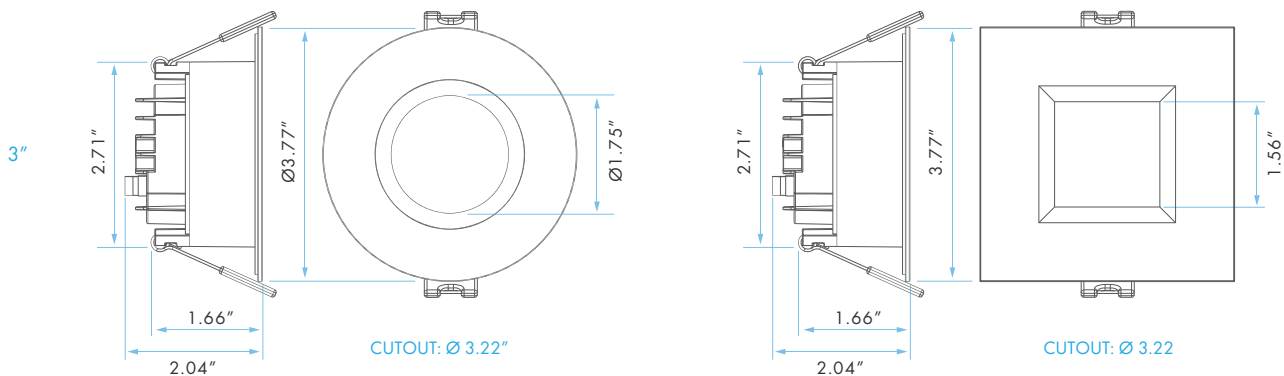
ELECTRICAL

		MODEL	DESCRIPTION	POWER	INPUT VOLTS	EFFICACY	LIFETIME	COST/YR
ROUND	3"	LT22630	LEDRMP3/HO/5CCT/RD/WT/D	10	120V	80	50,000	\$ 1.20
	4"	LT22632	LEDRMP4/HO/5CCT/RD/WT/D	15	120V	87	50,000	\$ 1.80
	5"	LT22634	LEDRMP5/HO/5CCT/RD/WT/D	18	120V	89	50,000	\$ 2.16
	6"	LT22636	LEDRMP6/HO/5CCT/RD/WT/D	18	120V	100	50,000	\$ 2.16
SQUARE	3"	LT22638	LEDRMP3/HO/5CCT/SQ/WT/D	10	120V	80	50,000	\$ 1.20
	4"	LT22640	LEDRMP4/HO/5CCT/SQ/WT/D	15	120V	87	50,000	\$ 1.80
	5"	LT22642	LEDRMP5/HO/5CCT/SQ/WT/D	18	120V	89	50,000	\$ 2.16
	6"	LT22644	LEDRMP6/HO/5CCT/SQ/WT/D	18	120V	100	50,000	\$ 2.16

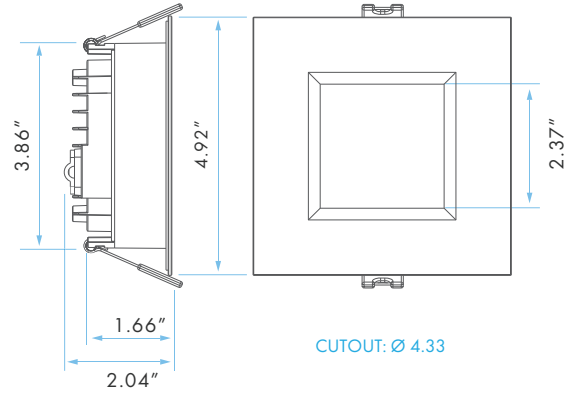
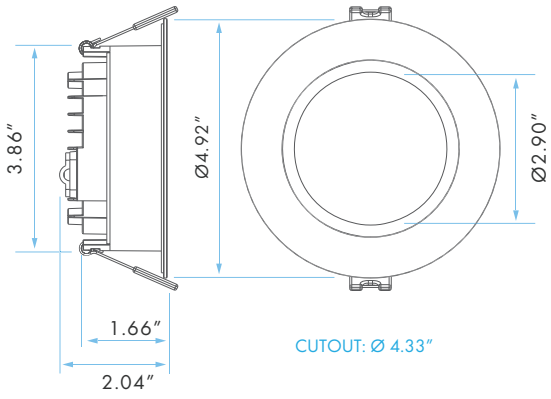
PHOTOMETRIC

MODEL	DESCRIPTION	COLOR (CCT)	TEMP	LUMEN	CRI	ETL	ENERGY STAR
LT22630	LEDRMP3/HO/5CCT/RD/WT/D	2700K/3000K /3500K/4000K/5000K	CCT SELECT	800	80	YES	YES
LT22632	LEDRMP4/HO/5CCT/RD/WT/D	2700K/3000K /3500K/4000K/5000K	CCT SELECT	1300	80	YES	YES
LT22634	LEDRMP5/HO/5CCT/RD/WT/D	2700K/3000K /3500K/4000K/5000K	CCT SELECT	1600	80	YES	YES
LT22636	LEDRMP6/HO/5CCT/RD/WT/D	2700K/3000K /3500K/4000K/5000K	CCT SELECT	1800	80	YES	YES
LT22638	LEDRMP3/HO/5CCT/SQ/WT/D	2700K/3000K /3500K/4000K/5000K	CCT SELECT	800	80	YES	YES
LT22640	LEDRMP4/HO/5CCT/SQ/WT/D	2700K/3000K /3500K/4000K/5000K	CCT SELECT	1300	80	YES	YES
LT22642	LEDRMP5/HO/5CCT/SQ/WT/D	2700K/3000K /3500K/4000K/5000K	CCT SELECT	1600	80	YES	YES
LT22644	LEDRMP6/HO/5CCT/SQ/WT/D	2700K/3000K /3500K/4000K/5000K	CCT SELECT	1800	80	YES	YES

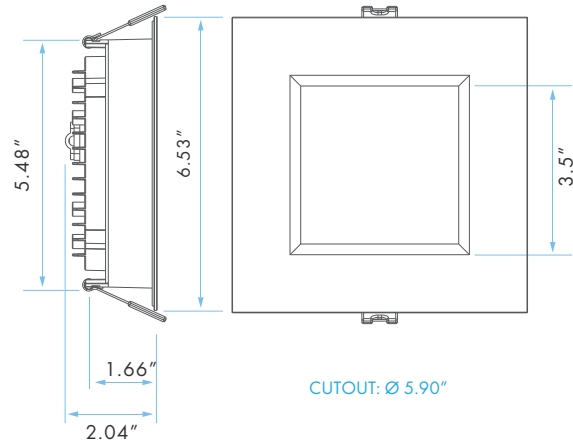
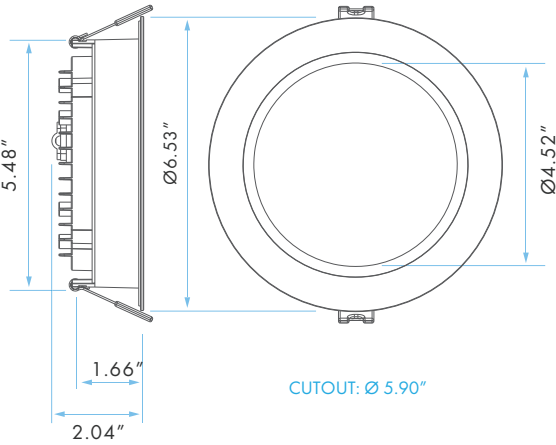
DIMENSIONS



4"



5"



6"

