

LT32180~86 Series

1, 2 & 3 Multiple Head LED Canless Spot Light

Catalog #		Type
Project		Date
Prepared by		



5 CCT SWITCH
ON THE BACK



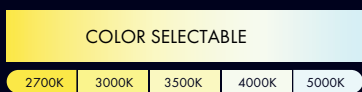
1 HEAD 12W

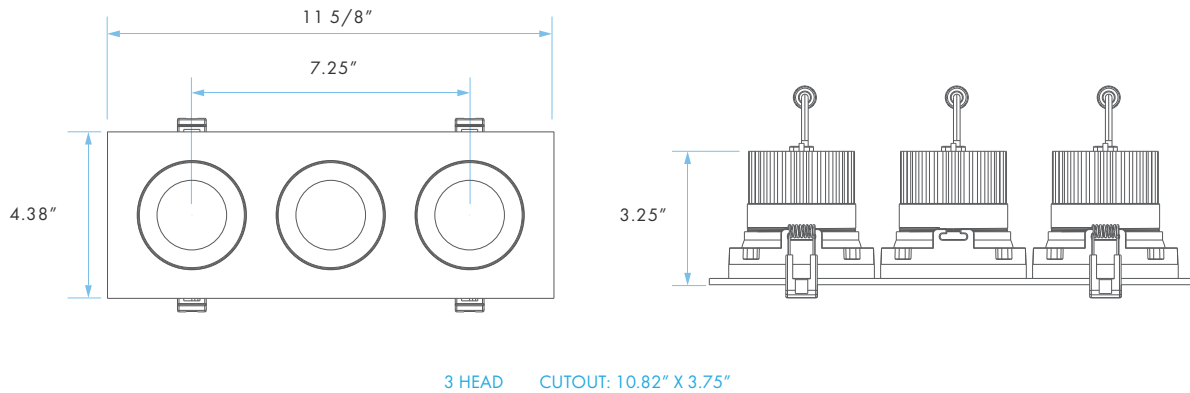
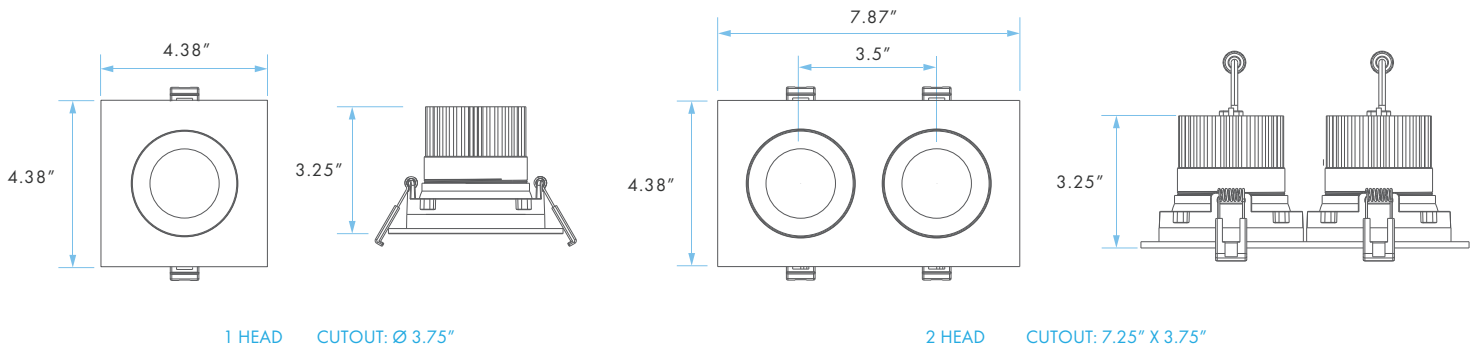


2 HEAD 24W



3 HEAD 36W





ELECTRICAL SPECIFICATIONS

	MODEL	DESCRIPTION	POWER	INPUT VOLTS	EFFICACY	LIFETIME	COST/YR
1 HEAD	LT32180	L EDMHDL1/5CCT/9/WHITE	12	120V	67	50,000	\$ 1.45
	LT32181	L EDMHDL1/5CCT/9/G/BLACK	12	120V	67	50,000	\$ 1.45
2 HEAD	LT32183	L EDMHDL3/5CCT/9/WHITE	24	120V	58	50,000	\$ 2.89
	LT32184	L EDMHDL3/5CCT/9/G/BLACK	24	120V	58	50,000	\$ 2.89
3 HEAD	LT32185	L EDMHDL4/5CCT/9/WHITE	36	120V	58	50,000	\$ 4.34
	LT32186	L EDMHDL4/5CCT/9/G/BLACK	36	120V	58	50,000	\$ 4.34

PHOTOMETRICS

	MODEL	COLOR (CCT)	TEMP	LUMEN	FLOOD	CRI	ETL	ENERGY STAR
1 HEAD	LT32180 & LT32181	2700K/3000K /3500K/4000K/5000K	CCT SELECT	800	40°	80	YES	YES
2 HEAD	LT32183 & LT32184	2700K/3000K /3500K/4000K/5000K	CCT SELECT	1400	40°	80	YES	YES
3 HEAD	LT32185 & LT32186	2700K/3000K /3500K/4000K/5000K	CCT SELECT	2100	40°	80	YES	YES

COMPATIBLE WITH:

