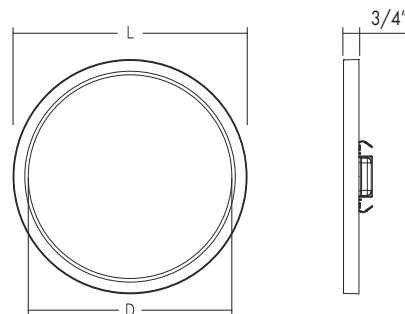


| | | |
|-------------|--|------|
| Catalog # | | Type |
| Project | | Date |
| Prepared by | | |

CFR6

7" LED Slim Round Surface Disk

LED



DESCRIPTION

The CFR series is designed for the installation with ceiling flush mount with its slim depth. It's designed to either use a direct 4" J-Box or allow existing recessed can to be retrofitted by easy fit springs. Specially layered film/diffuser delivers superior light distribution and even uniformity.

DESIGN FEATURES

- 120VAC LED module with integrated IC chip imbed on board and 10-100% Triac dimming with most of leading and trailing edge dimmer switches in the market.
- Hard gauge metal back plate and the heat sink to facilitate heat dissipation.
- Mounting on 4" J-box with 2 screws from base plate.
- Triac & ELV dimmable standard.

Listing

- cCSA-us Certificated
- California Title 24
- ENERGY STAR
- Wet Location

Limited Warranty

- LED Module: 5 years/50K hours

Optional

- Mounting Kit for 6" Recessed Cans

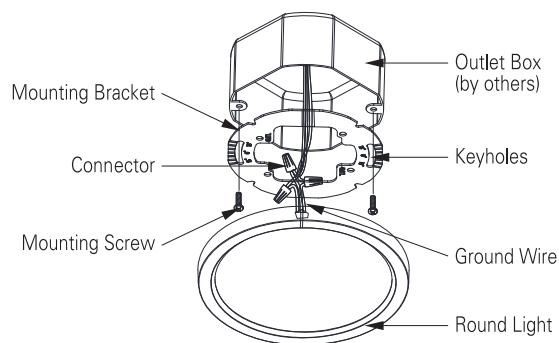


Dimension Table

| | |
|-----------------------|------|
| Housing | CFR6 |
| Overall Diameter (L) | 7" |
| Diffuser Diameter (D) | 6" |

| SPECIFICATION | |
|-------------------|----------------------------|
| Voltage | 120V-60Hz |
| Wattage | 15W |
| Lumen | 1,227(80CRI), 1,080(90CRI) |
| Beam Angle | 100° |
| Color (CCT +/-5%) | 3000K & 4000K |
| Dimming | TRIAC & ELV, 10-100% |

J-box Mounting



Ordering Information

* Consult factory for approved dimmers

| Housing | -CRI | Color Temp.** | -Finish | -Options |
|---------|--------------------|--------------------------|------------------------|---|
| CFR6 | -8 = 80 -9 = 90 | 30 = 3000K 40 = 4000K | -WH = White (Standard) | -6MTL = Mounting Kit for 6" Recessed Cans |

Example : CFR6-830-WH

** Consult factory for other Color Temperatures and Finishes

07/31/2023

