

INSTALLATION INSTRUCTIONS

MMT MAGNETRAX MINI

IMPORTANT SAFETY INSTRUCTIONS

Please read carefully before using product. Protect yourself and others by observing all safety information, warnings and cautions. Failure to comply with instructions could result in personal injury and/or damage to product or property.

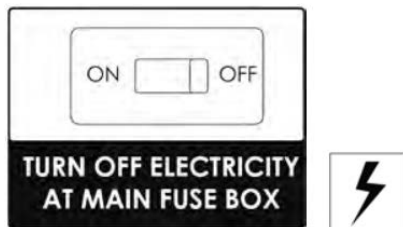
Please retain instruction sheet for future reference.

When installing or using this product, basic safety precautions should always be followed including the following:

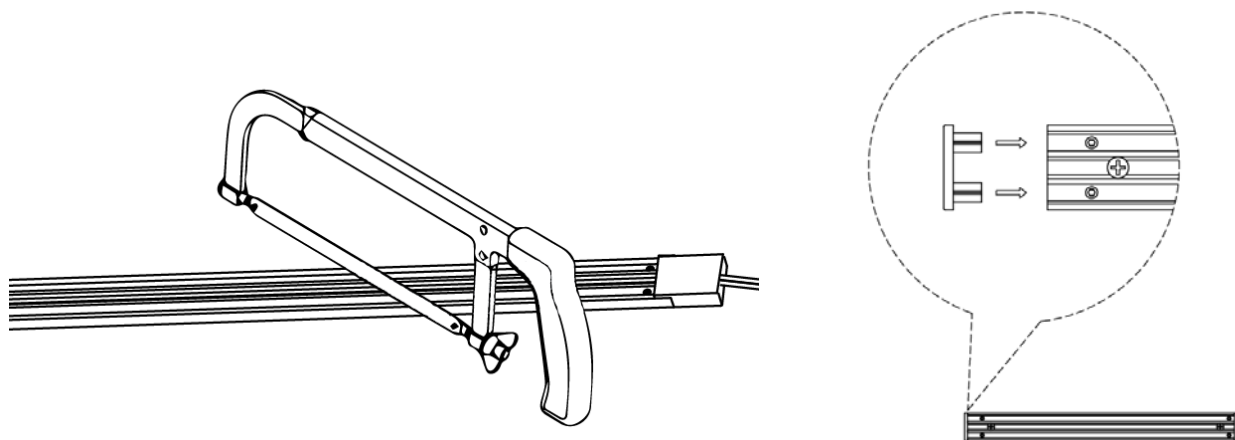
1. Read all instructions before attempting to install this product.
2. Ensure main power is off before installing or wiring this product.
3. Ensure correct voltage is being used for this product.
4. Do not use if there is visible damage to the fixture or cord insulation. Inspect periodically.
5. Do not exceed specified maximum wattage.
6. Use only in indoor dry location.
7. Disconnect electrical power before adding to or changing the configuration of this product.
8. To reduce risk of fire, do not install in a compartment smaller than 450 cubic/inches per 14.5W max
9. Fixtures must be installed by a qualified/certified electrician in accordance with all national and local electrical and construction codes and regulations.

INSTALLATION INSTRUCTIONS

1. Before beginning installation, switch circuit breaker off or remove fuse.



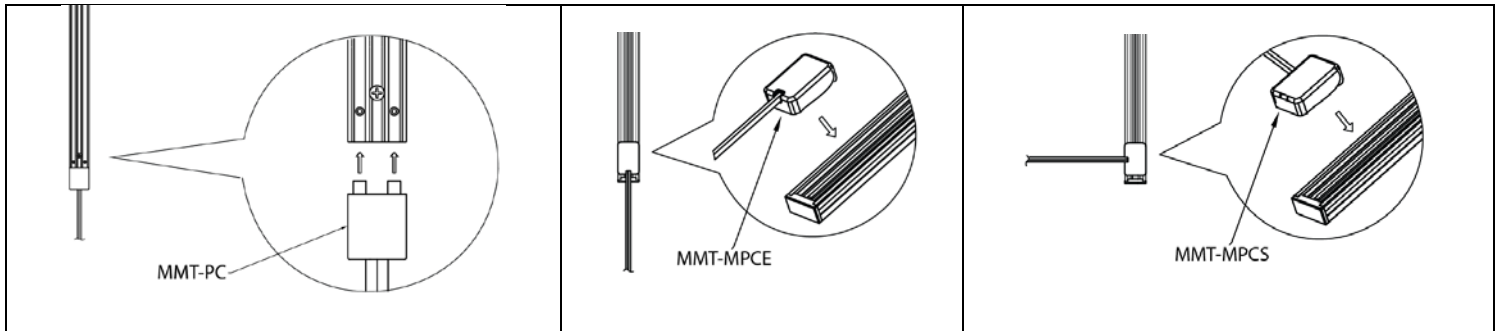
2. Configure design and layout of the system before attempting to install this product. Track comes in 78-3/4" (MMT-TRK-80) length. Cut the track to desired length with a hacksaw when needed. Connect the end cap to the cut side of the track.



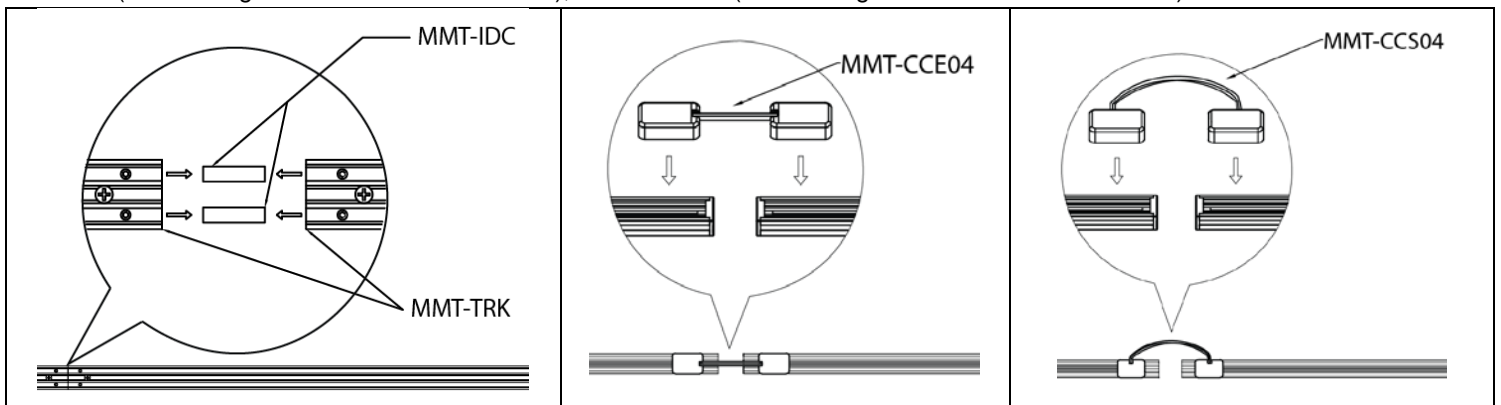
INSTALLATION INSTRUCTIONS

MMT MAGNETRAX MINI

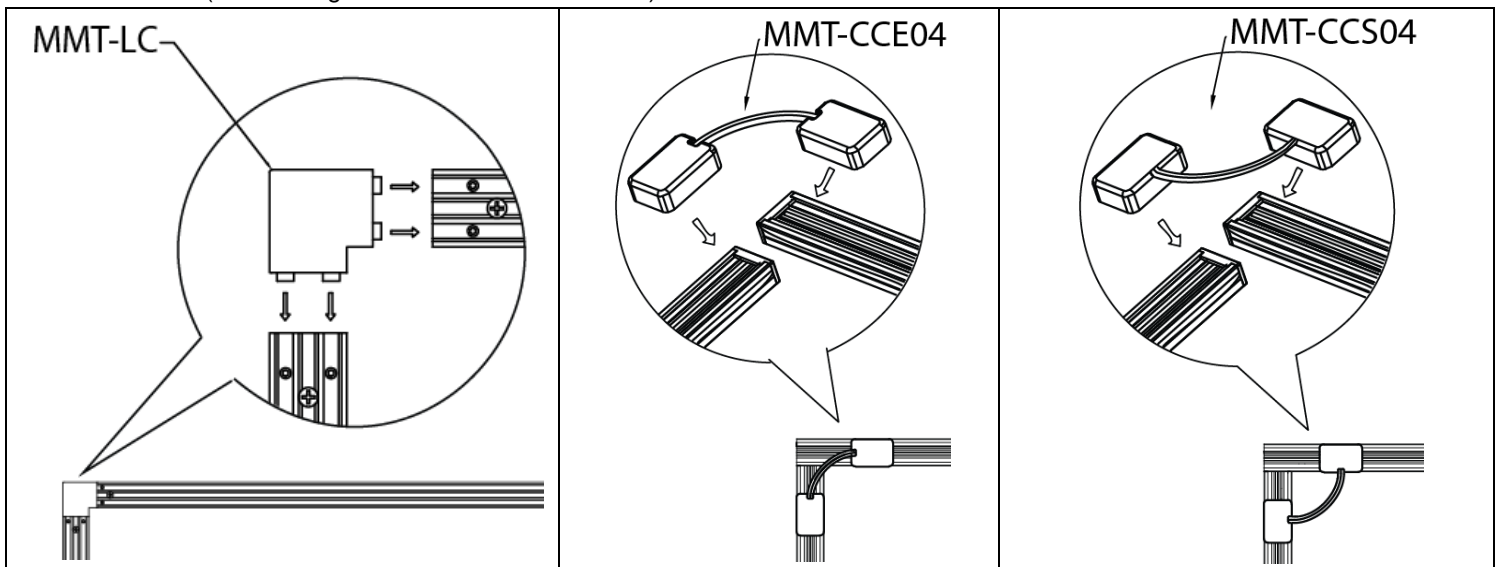
3. To Feed power to a track use MMT-PC (Power feed connector), MMT-MPCE (Magnetic power feed-wire from the end), or MMT-MPCS (Magnetic power feed-wire from the side)



4. To make a straight connection between two tracks use the MMT-IDC (Internal Direct Connection), MMT-CCE04 (Connecting Cable – Wire from the end), MMT-CCS04 (Connecting Cable – Wire from the side)



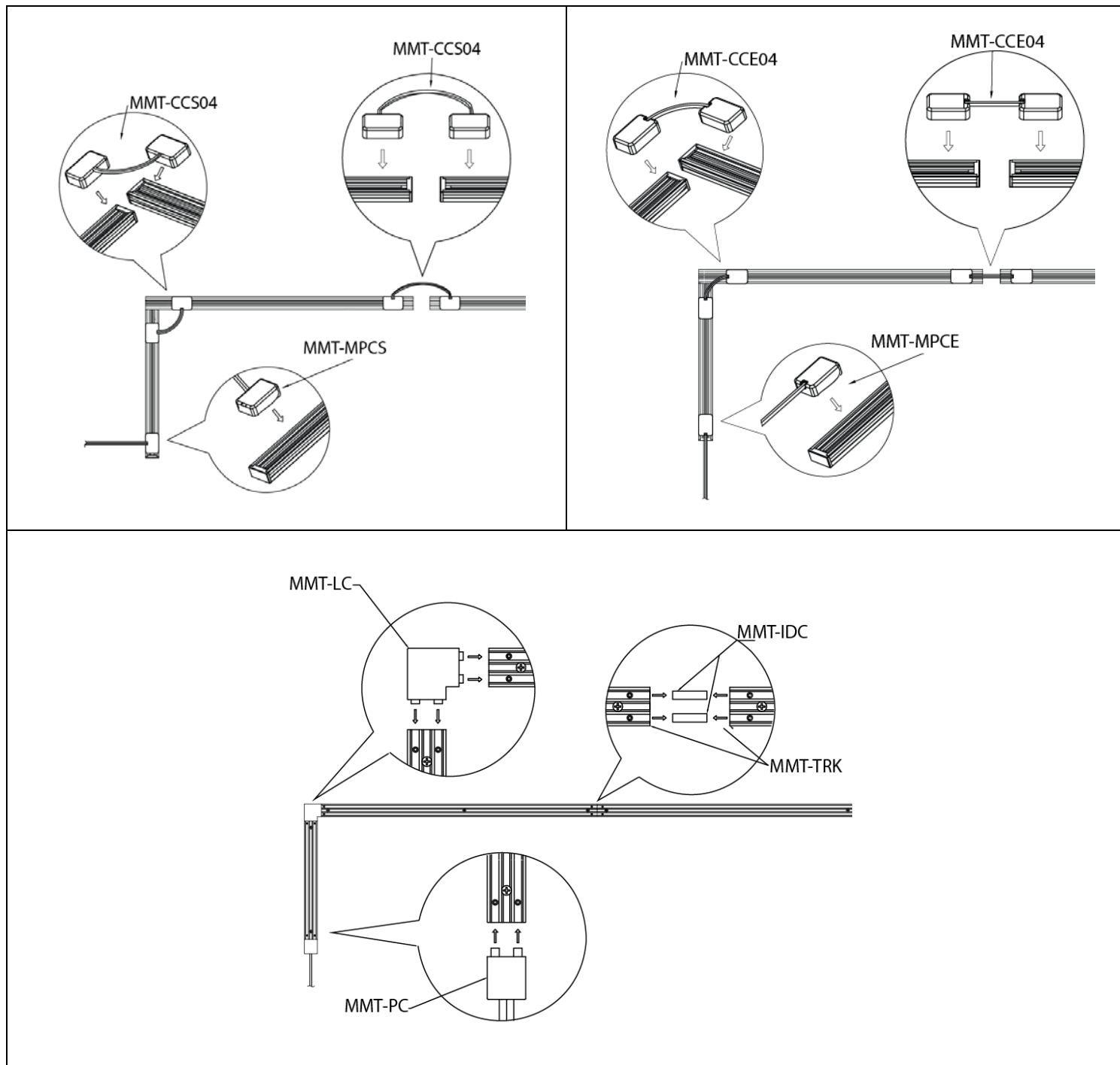
5. To make a L connection use the MMT-LC (L Connector), MMT-CCE04 (Connecting Cable – Wire from the end), MMT-CCS04 (Connecting Cable – Wire from the side)



INSTALLATION INSTRUCTIONS

MMT MAGNETRAX MINI

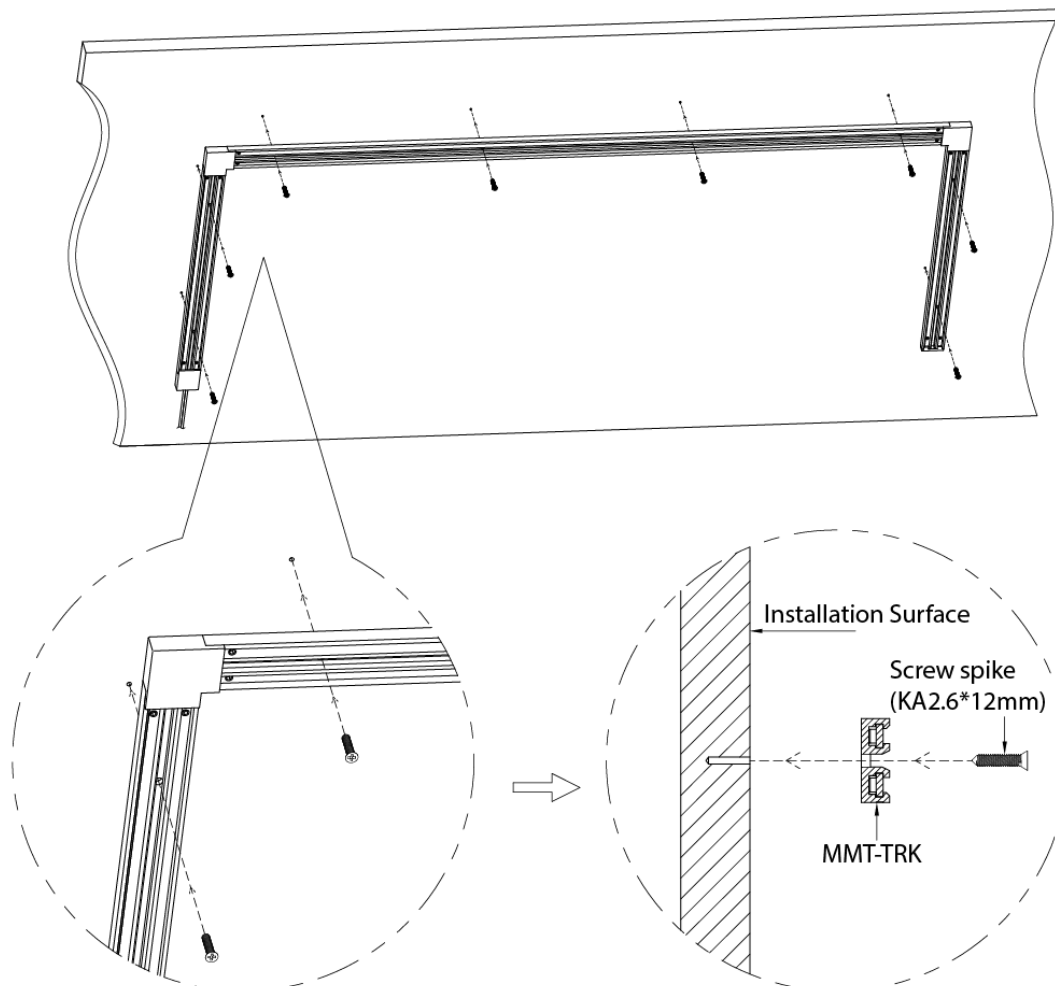
6. 3 different example configurations shown below:



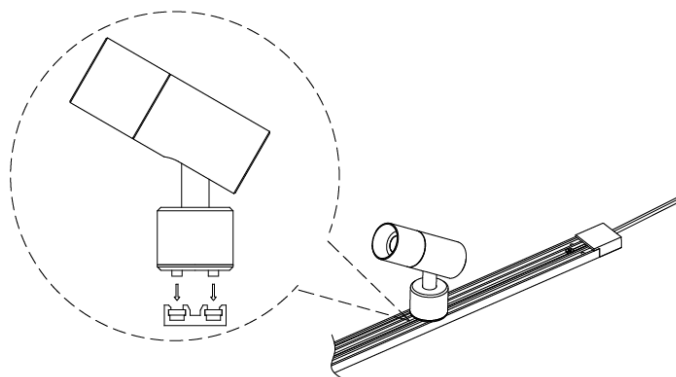
INSTALLATION INSTRUCTIONS

MMT MAGNETRAX MINI

7. MOUNTING: Screw the track on wall or surface through the predrilled holes (9-1/2" apart) with provided screws. Additional holes can be drilled on the track if needed or if track is cut in the field.
- NOTE: Double sided tape provided with the tracks are to be used only for temporary installations or to initially align the track. It is not recommended for permanent installation.



8. Attach the trackheads onto the track. Each trackhead is held and powered magnetically for easy movement.



INSTALLATION INSTRUCTIONS

MMT MAGNETRAX MINI

NOTE: Refer to driver specification sheet for ambient temperature range of the driver

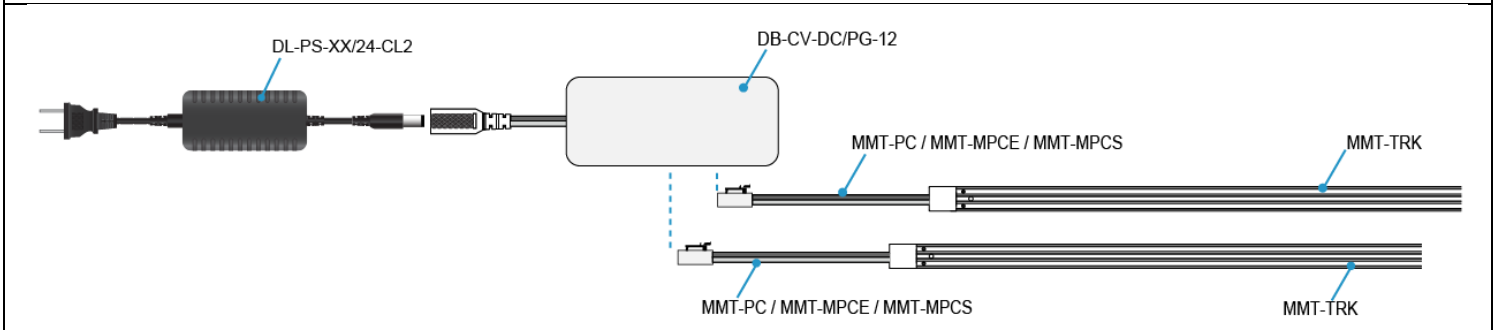
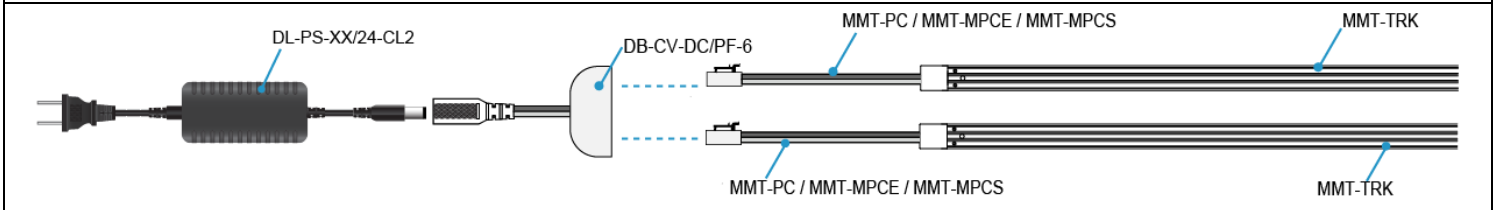
NOTE: Leave the power connector with enough slack to account for expansion and contraction due to temperature changes

NOTE: When multiple drivers are being used, vertical side-by-side mounting is recommended

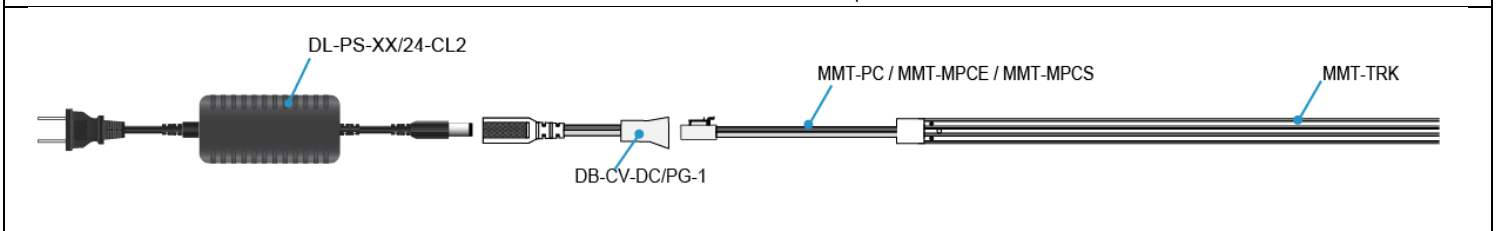
NOTE: Leave at least 5" spacing between LED drivers to allow for airflow to prevent heat buildup

WIRING DIAGRAM:

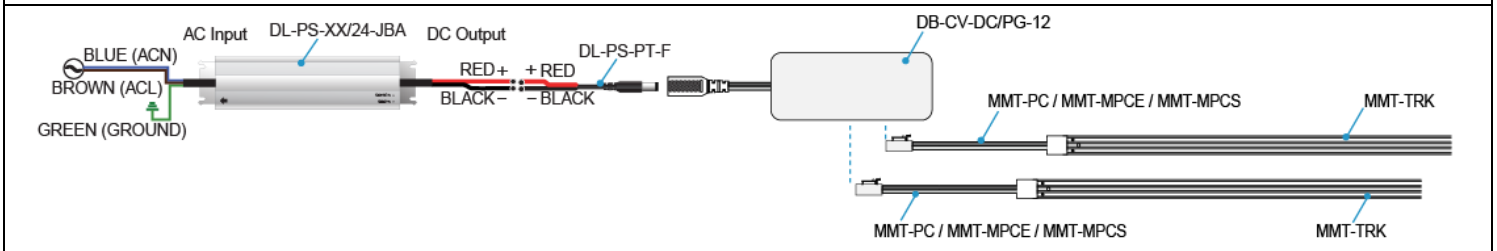
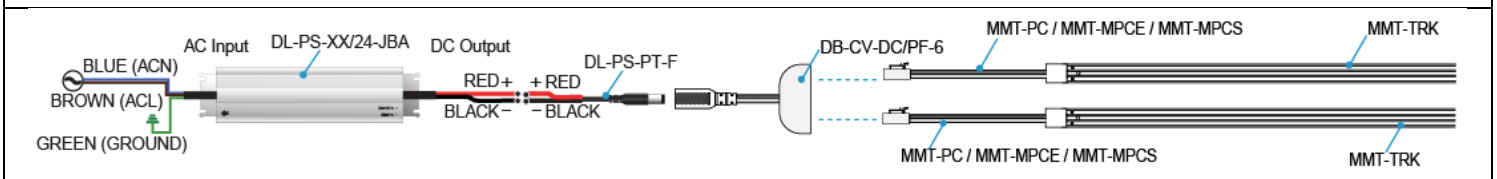
PLUG AND PLAY – With distribution block



PLUG AND PLAY – With adapter



HARDWIRE – With distribution block



HARDWIRE – With adapter

