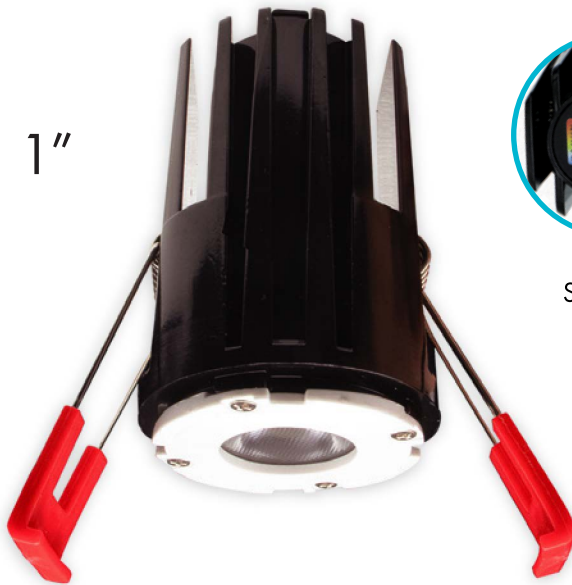


LT23460~3 Series

120 VAC, 1" Optical LED, 5-Selectable CCT, dimmable with Round and Square Trim Options, Recessed Fixture

Catalog #		Type
Project		Date
Prepared by		



5 CCT SWITCH



WHITE ROUND TRIM INCLUDED



LT23461



LT23462



LT23463

INTERCHANGEABLE TRIMS
* SOLD SEPARATELY

COMPATIBLE WITH:	
LT35123	
EM LED DRIVER	
LT41004	
NEW CONSTRUCTION MOUNTING PLATE	



SPECIFICATIONS

ELECTRICAL

1"	MODEL	DESCRIPTION	POWER	INPUT VOLTS	DIMMABLE	EFFICACY (LPW)	FREQUENCY	LIFETIME
	LT23460	LED/URDL1/5CCT/RD/WT	7	120V	YES	71	60Hz	50,000

PHOTOMETRIC

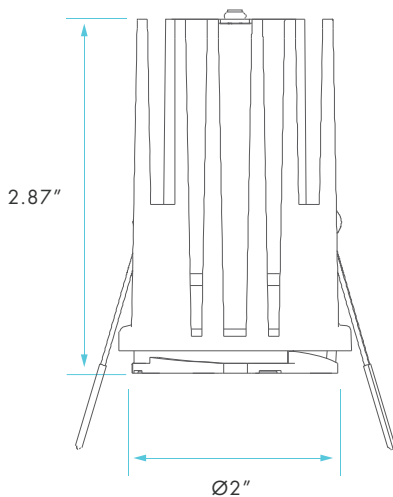
MODEL	COLOR (CCT)	TEMP	LUMEN	FLOOD	CRI	COST/YR	IC RATED	WET LOCATION	ENERGY STAR	ETL LISTED
LT23460	2700K/3000K/3500K/4000K/5000K	WARM/SOFT/NATURAL/COOL/BRIGHT	500	30°	80	\$ 0.84	YES	YES	YES	YES

GENERAL

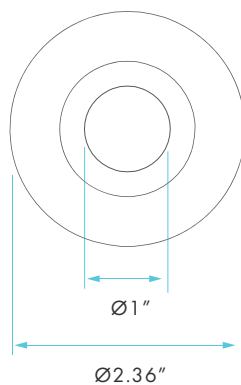
DIMENSIONS

1" MODULE

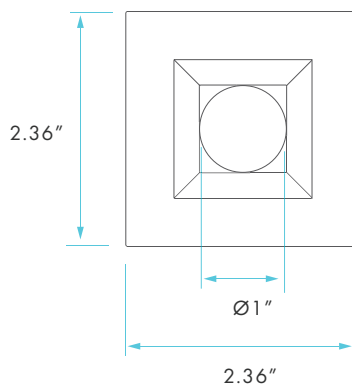
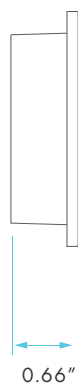
CUTOUT: Ø 2.12"



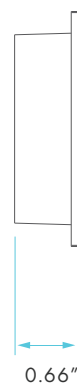
INTERCHANGEABLE TRIMS



ROUND



SQUARE



MODEL	DESCRIPTION	FINISH
LT23461	LED/URDL1/TRM/RD/BK	ROUND SMOOTH BLACK
LT23462	LED/URDL1/TRM/SQ/WT	SQUARE SMOOTH WHITE
LT23463	LED/URDL1/TRM/SQ/BK	SQUARE SMOOTH BLACK