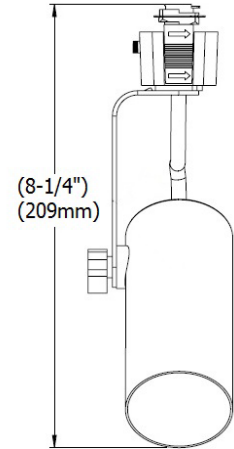
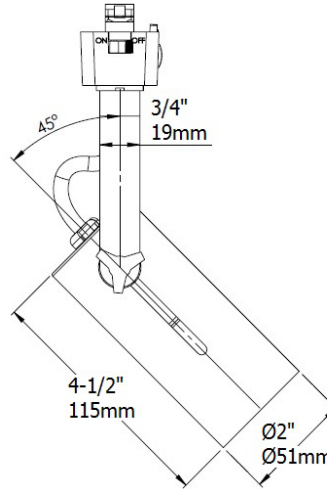
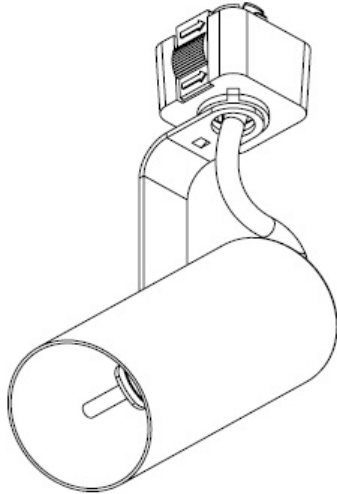


HV650

Universal Lampholder Track Luminaire

Catalog #		Type
Project		Date
Prepared by		



DESCRIPTION

Universal Halogen or LED track fixture in a minimal yet functional design. Detailed yoke with smooth transition line. Internally adjustable socket provides maximum concealment of lamp neck. Suitable for residential, retail or hospitality application.

CONSTRUCTION

Molded polycarbonate track fitting.
Spring loaded locking tab.
Steel yoke and socket cover.
Powder coat paint.
350° horizontal, ±90° vertical aim adjustment.

MOUNTING

Selection of three track fittings. Provides electrical and mechanical connection to single or two circuit track systems.

ELECTRICAL

Porcelain socket, E26 medium base. Integral ON/OFF switch.

DIMMING

Lum-Tech HV650 track luminaire is compatible with most dimming protocols prevalent in the United States. Please consult lamp manufacturer for latest compatibility information.

LAMPS

Halogen or LED, E26 medium base 120V
PAR20 50W max
PAR30S or PAR30L 75W max
PAR38 250W max

LABELS

cETLus Listed

WARRANTY

18 months

ORDERING INFORMATION

SYSTEM	SERIES	FINISH
H2 = H1 Track or Halo ¹ Power-Trac L2 = L Track or Lightolier ² Lytespan Track J2 = J1, J2 or Juno ³ Trac-Master	HV650	BK – Black WT – White
	HV650	

Notes:

- ¹Halo is a registered trademark of Cooper Lighting.
²Lightolier is a registered trademark of Philips Lighting.
³Juno is a registered trademark of Juno Lighting.