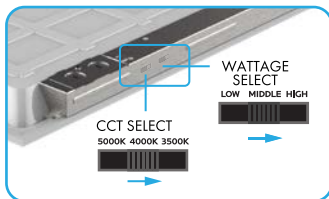


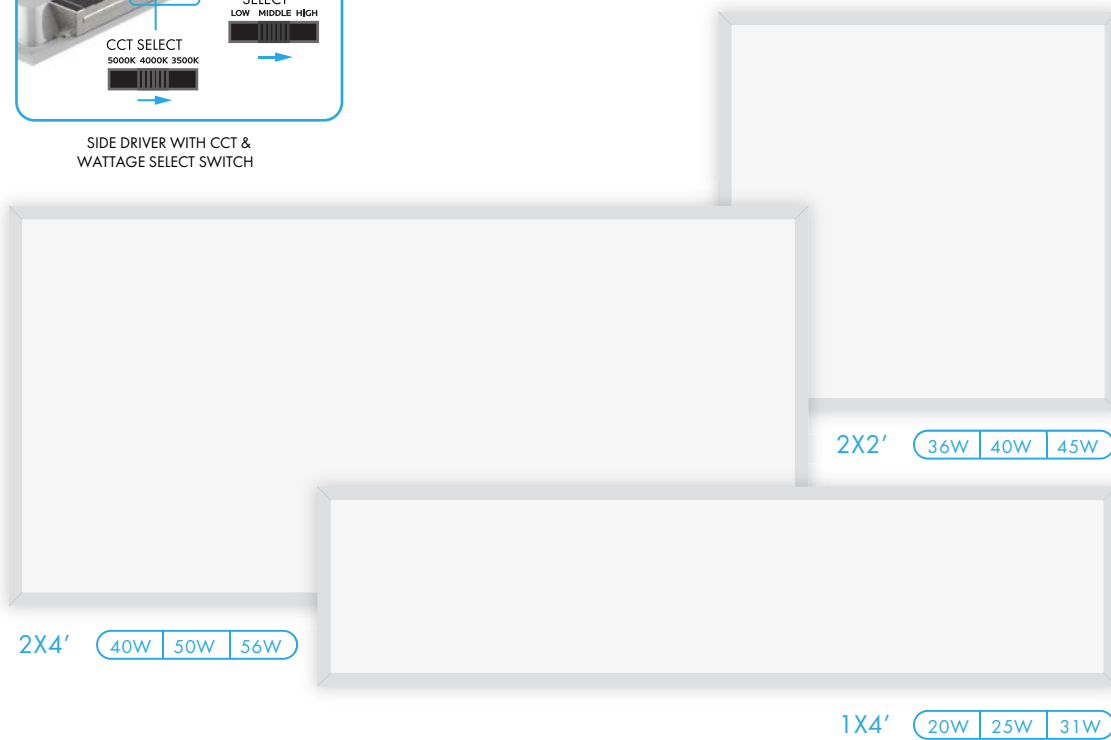
LT24227~33 Series

120-277 VAC, 1'x4', 2'x2', 2'x4', Selectable
 3-Wattage & 3-CCT, Dimmable, Backlit Flat Panel

Catalog #		Type
Project		Date
Prepared by		



SIDE DRIVER WITH CCT & WATTAGE SELECT SWITCH



CRI 80

COLOR SELECTABLE

3500K 4000K 5000K

WATTAGE SELECTABLE

3 OPTIONS

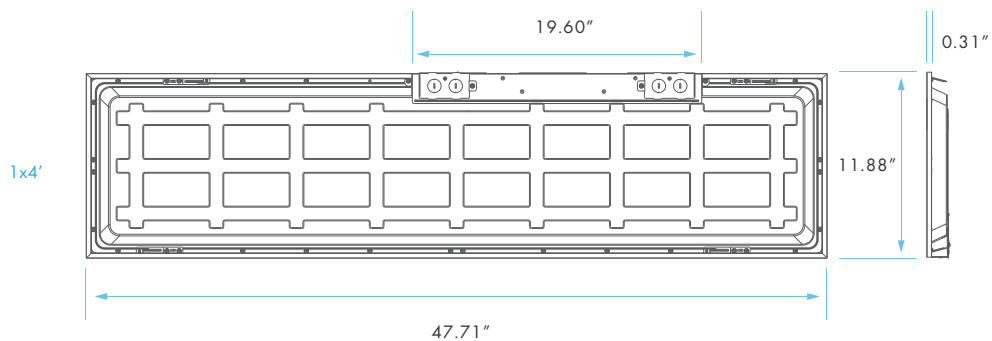
DIMMABLE

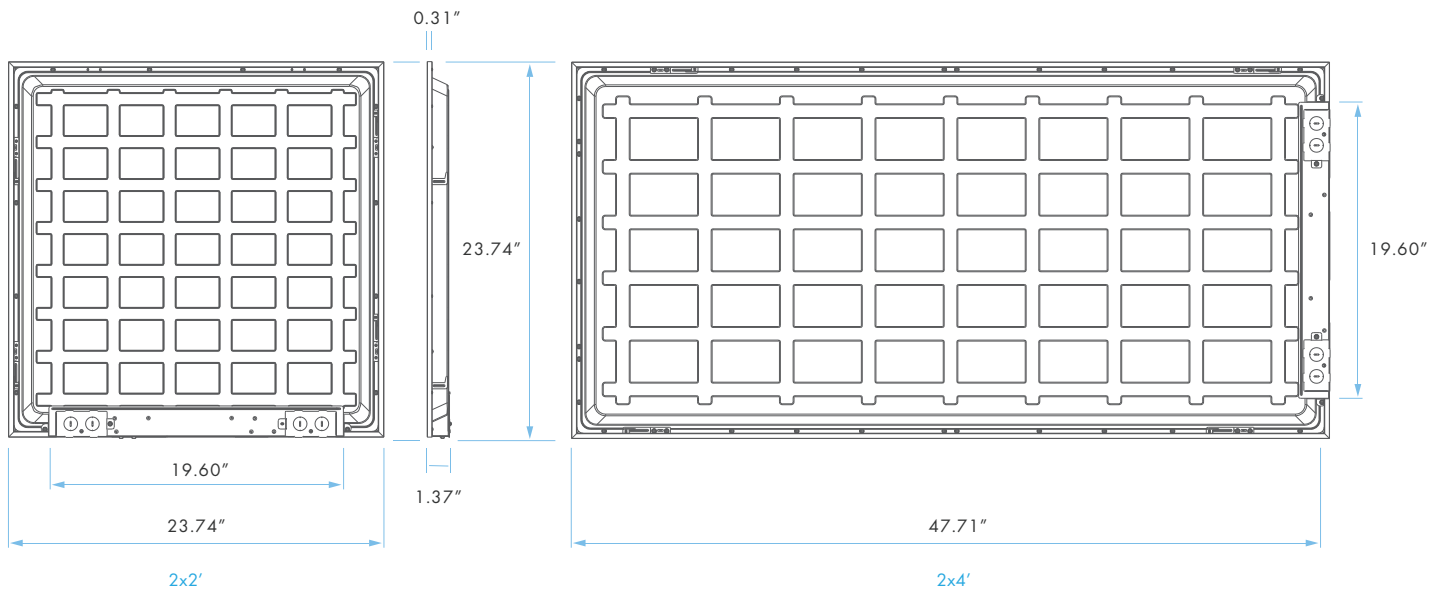
0-10V

IC RATED

DAMP LOCATION RATED

5 YEAR WARRANTY





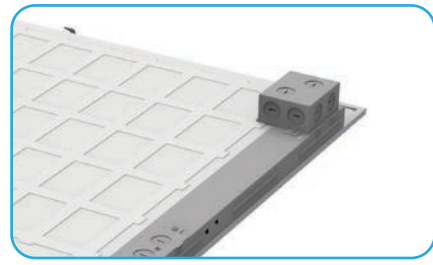
MAKEUP OF CCT & WATTAGE SELECT BACKLIT PANEL



FRONT VIEW



BACK VIEW



LR24239 J-BOX EXTENDER
*INCLUDED

ELECTRICAL

	MODEL	DESCRIPTION	POWER	INPUT VOLTS	EFFICACY	LIFETIME	COST/YR
1X4'	LT24227	LED1X4BPNL/3WO/3CCT/D	20	120-277V	125	50,000	\$ 3.01
			25				
			31				
2x2'	LT24230	LED2X2BPNL/3WO/3CCT/D	36	120-277V	125	50,000	\$ 4.82
			40				
			45				
2x4'	LT24233	LED2X4BPNL/3WO/3CCT/D	40	120-277V	125	50,000	\$ 6.02
			50				
			56				

PHOTOMETRIC

MODEL	DESCRIPTION	COLOR (CCT)	TEMP	LUMEN	CRI	UL	DLC
LT24227	LED1X4BPNL/3WO/3CCT/D	3500K /4000K/5000K	CCT SELECT	2500 (@20W)	80	YES	YES
				3125 (@25W)			
				3819 (@31W)			
LT24230	LED2X2BPNL/3WO/3CCT/D	3500K /4000K/5000K	CCT SELECT	4500 (@36W)	80	YES	
				5000 (@40W)			
				5583 (@45W)			
LT24233	LED2X4BPNL/3WO/3CCT/D	3500K /4000K/5000K	CCT SELECT	5625 (@40W)	80	YES	YES
				6250 (@50W)			
				7106 (@56W)			

ACCESSORIES

* SOLD SEPARATELY



J-BOX EXTENDER

*INCLUDED

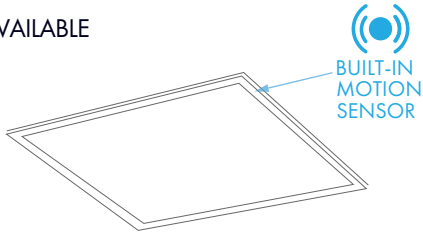
MODEL	DESCRIPTION
LT24239	LEDBPNL/BOX



EMERGENCY BRACKET

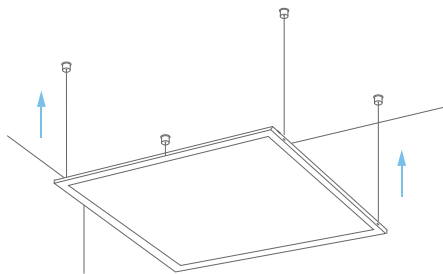
MODEL	DESCRIPTION
LT24236	LEDBPNL/EMBRACKET

ALSO AVAILABLE



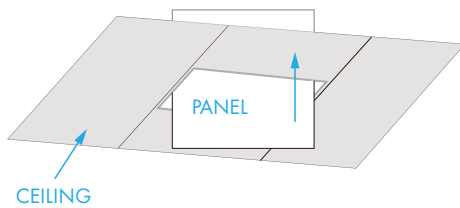
BUILT-IN MOTION SENSOR

MODEL	DESCRIPTION
LT24228	L ED1X4BPNL/3WO/3CCT/D/MS
LT24231	L ED2X2BPNL/3WO/3CCT/D/MS
LT24234	L ED2X4BPNL/3WO/3CCT/D/MS



SUSPENSION KIT

MODEL	DESCRIPTION
LT24178	L ED/1/2X4/SUSPENSION/KIT
LT24177	LED/2X2/SUSPENSION/KIT



AVAILABLE IN 2X2, 1X4 & 2X4

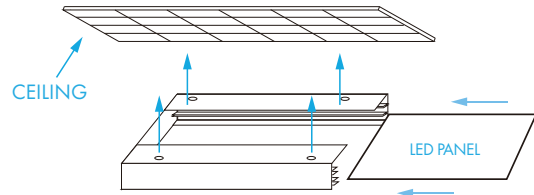
FLANGE KIT

MODEL	DESCRIPTION
LT24180	L ED/1X4/FLANGE/KIT
LT24181	LED/2X2/FLANGE/KIT
LT24182	LED/2X4/FLANGE/KIT

REMOTE CONTROL



MODEL	DESCRIPTION
LT24237	L EDBPNL/REMOTE



AVAILABLE IN 2X2, 1X4 & 2X4

SURFACE KIT

MODEL	DESCRIPTION
LT24096	L ED/2X2/SURFACE/KIT/D
LT24097	LED/1X4/SURFACE/KIT/D
LT24098	LED/2X4/SURFACE/KIT/D



EMERGENCY LED DRIVER

MODEL	DESCRIPTION
LT35122	L ED/EMR/8-15W/DC/FC/E



10FT DETECTION AREA (RADIUS)	23FT (max)
20FT DETECTION AREA (RADIUS)	16FT (max)
HOLD TIME	30s/1min/3min/5min
STAND-BY TIME	1min/∞

STAND-BY DIMMING: 0% 10% 30%

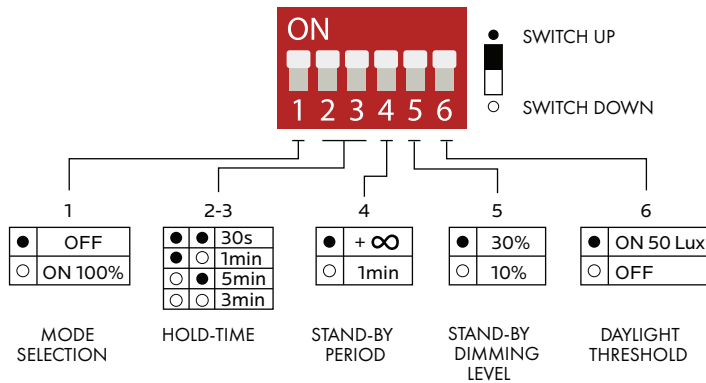
FIXTURE BRIGHTNESS: 10% 30% 50%

ADJUSTABLE FEATURES

- AMBIENT LIGHT SENSOR
 - HOLD TIME
 - STAND-BY TIME
- STANDBY DIMMING LEVEL
 - NORMALLY ON MODE
- DAYLIGHT SENSOR: ON/OFF
- DIMMING MODE: PWM/0-10V

REMOTE CONTROL: IR

MODEL	DESCRIPTION
LT24237	L EDBPNL/REMOTE *SOLD SEPARATELY



3 STEP DIMMING FUNCTION



WHEN THE LIGHT IS BRIGHT, THE LIGHT DOESN'T GO ON.



WHEN AMBIENT LIGHT IS DIM, SENSORS DETECT MOTION AND LIGHTS ARE 100% ON.



WHEN THE HOLDING TIME ENDS AND NO MOTION IS DETECTED, THE LIGHT BRIGHTNESS IS AUTOMATICALLY DIMMED AND THE WAITING TIME STARTS.



AT THE END OF THE WAITING TIME, NO MOTION IS DETECTED AND THE LIGHTS ARE TURNED OFF (OR KEPT ON AT THE WAITING BRIGHTNESS) IN THE THIRD STAGE.