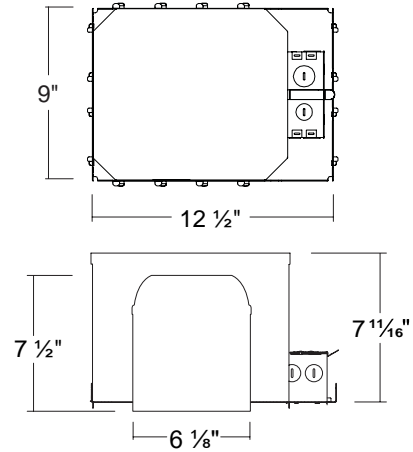


LEDH-RT56ICA-FR

6" LED 2-Hour Fire Rated Airtight IC
New Construction Housing

Catalog #		Type
Project		Date
Prepared by		

6" LED



DESCRIPTION

An ideal solution when IC and 2-Hour Fire Rated housings are required. This new construction airtight IC housing is fire rated for 2-hours and is designed to be used with Lum-Tech LED, DoB module/trim kits **LED-LFR56** and **LED-AF6AD**.

DESIGN FEATURES

Housing

- Galvanized steel construction; housing interior is comprised of a flexible non-combustible insulation
- Suitable for use in new construction applications
- IC Rated for direct contact with insulation
- Adjusts to accommodate up to 1-1/2" ceiling thickness
- 2-hours fire rated

Junction Box

- J-box is listed for through-branch circuit wiring (4in - 4out), with three 1/2" knockouts and four non-metallic cable knockouts with strain clamps
- 3-port quick connectors pre-installed in J-Box

Bar Hanger

- Pre-installed bar hangers allow the housing to be positioned at any point within 24" joist span
- Pre-installed captive nails on bar hangers
- Bar hangers can be turned 90° on the plaster frame
- Bar hangers are designed to fit T-bar spine without additional clamps for use in drop ceilings

Dimensions

- 6-1/2" x 9 x 12-1/2"
- Aperture for can: 6 1/8"
- Height of can: 7 1/2"

Certifications

- cULus Listed for Wet Location (with specified trims)
- Certified under ASTM-E283 for Air tight construction
- 2 HOURS FIRE RATED UL Listed (UL1598 / UL263)

Limited Warranty

- 5 years