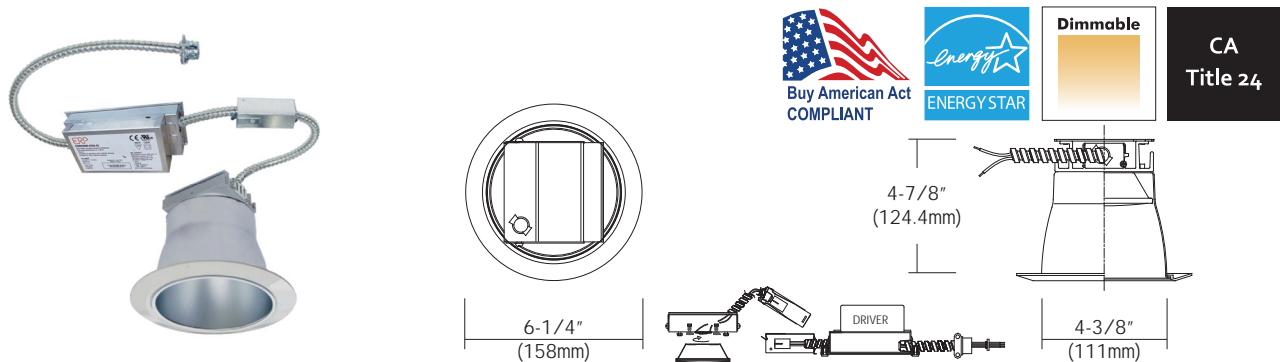


LED-ARFK4

120V-277VAC LED 4", Non-IC, Architectural Retrokit
Down Light with interchangeable Reflector Trims

Catalog #		Type
Project		Date
Prepared by		

4" Architectural LED



DESCRIPTION

The LED-ARFK4 is an Architectural grade, LED Recessed Downlight Retrokit and is available with multiple Trim styles. It is designed for use with existing Lum-Tech 4" Architectural Incandescent, Fluorescent and Metal Halide Housings. It is also compatible with most 4" architectural housings measuring at least 4-7/8" high with an inside diameter between 4-1/2" and 5" (See Housing Compatibility section). Available with a 14W or 23W, high efficacy LED engine and universal, dimmable drivers. The optical diffuser produces high lumen transmission and even illumination. Suitable for Wet Locations.

DESIGN FEATURES

Reflector

- Heavy gauge aluminum reflectors available in various styles and finishes.

Heat Sink

- Painted, extruded aluminum heat sink designed to facilitate efficient heat dissipation for superior thermal management and reliability.

LED Driver

- Universal, 120-277 VAC input, high efficiency dimming drivers with Triac/ELV dimmer switches or Triac/ELV/0-10V dimmer switches.
- Drivers feature power factor >.90, THD <20% with integral thermal protection to sense over temperature or electrical issues.
- Driver mounts externally to the module to allow future replacement or upgrading if desired.
- Optional Lutron Hi-lume A-Series, LED drivers and EcoSystem 5-Series LED drivers are available. Lutron drivers provide flicker-free, smooth, continuous dimming down to 1% for Hi-lume and 5% for EcoSystem. (Contact factory for dimming system requirements)

Electrical Connection

- Attach driver supply line to existing junction box through one of the knockouts provided in junction box. The existing socket whip and ballast (if any) can be set aside above the ceiling or removed completely. Connect Quick Connector from LED module to driver output connector and lock the two connector housings together.

Retrokit Mounting

- Designed for use with most existing 4-1/2" - 5" aperture architectural incandescent, fluorescent and metal halide housings. Supplied with flexible metal conduit for connection to existing electrical junction boxes. Existing frame-in kit mounting via friction springs or clips.

Options

- Emergency battery back-up : Available in mounted to fixture or remote adjacent to luminaire (consult with factory for space requirements).

Limited Warranty

- LED Module: 5 years/50K hours
- Product/Driver: 3 years

Listing

- cETLus Wet Location
- ENERGY STAR
- California Title 24

SPECIFICATION	
Input Voltage	120-277VAC
Wattage (+/-5%)	14 W 23W
Lumen (+/-5%)	950 lm 1,740lm
Efficacy (LPW)	67.9 lm/W 75.6 lm/W
Beam Angle	67.7° 69.3°
CRI (Typical)	80, 90
CCT (Color +/-5%)	2700K, 3000K, 3500K, 4000K
Dimming	Triac/ELV, Triac/ELV/0-10V, or Lutron Dimming
LED Module	5 yr/50K hr
Environment	Wet Location

o Triac/ELV/0-10V Approved Dimmers

* Lutron:

Triac: Skylark S-600
ELV: NovaT NTELV-300 & 600
Diva DVELV-300P & 303P
Maestro MAELV-600
Skylark SEL-VB-300P

0-10V: Diva DVTV

Diva DVSTV-IV
CFL/LED: Diva DVCL-253P
Ariadni AYCL-253P

* Leviton:

Triac: Trimatron #705W
ELV: IPEO4-1L (ELV)
Acenti: ATE06-1LW

* Consult tech. service or factory for additional dimmers

* Provided: Easy-quick connector case (patent pending)

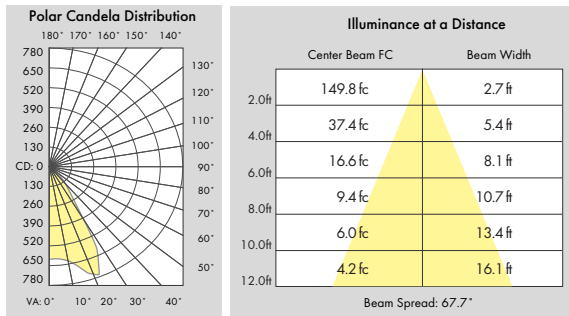


TRIM

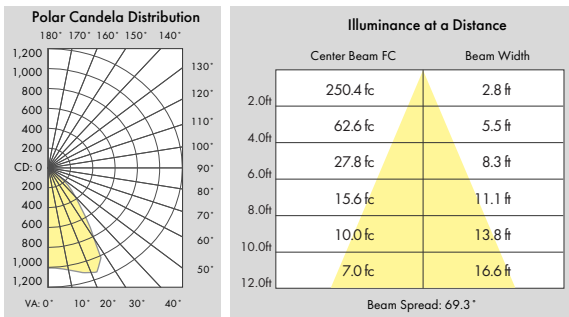


*Wide beam reflector is standard. Also available narrow beam in reflector(consult with factory).
 *All trims are rated for damp location and regressed lens trims are wet location listed.
 *LEDT-R441 & LEDT-R422 are suitable and rated for shower location.

PHOTOMETRIC REPORT * Contact Factory for IES File



[LED-ARFK4-14-830+LEDT-R44]



[LED-ARFK4-23-830+LEDT-R44]

Ordering Information

Model
 LED-ARFK4 = 4", Non-IC, Architectural Down Light Retrofit

-Watts
 -14 = 14W
 -23 = 23W

-CRI
 -8 = 80
 -9 = 90

Color Temp. **
 27 = 2700K
 30 = 3000K
 35 = 3500K
 40 = 4000K

Driver*
 UTD = 120~277VAC, Triac/ELV Dimming
 UZTD = 120~277V, Triac/ELV/0-10V Dimming
 L1D = Lutron Hi-lume 1% Dimming
 L5D = Lutron EcoSystem 5% Dimming
 LTE = Lutron Hi-lume 1% 2-Wire Dimming

*Option : Emergency
 -EM = Emergency Battery Backup

Trim
 LEDT-R44
 LEDT-R414
 LEDT-R441
 LEDT-R422
 LEDT-R436
 LEDT-R440
 LEDT-R450

*Option :
 -FT-4SR = Sloped Ceiling Adaptor

-Reflector Finish**
 -HC = Haze Clear
 -WH = White Painted

Baffle Finish for LEDT-R414 & R441
 -WH = White
 -BK = Black

Optional Metal Trim Ring Finish
 -WH = White Plastic Trim Ring (Standard)
 -WMR = White Metal Ring
 -SN = Satin Nickel
 -CH = Chrome
 -SF = Polished Self-Flange (for Open or Wall Wash Reflectors ONLY)

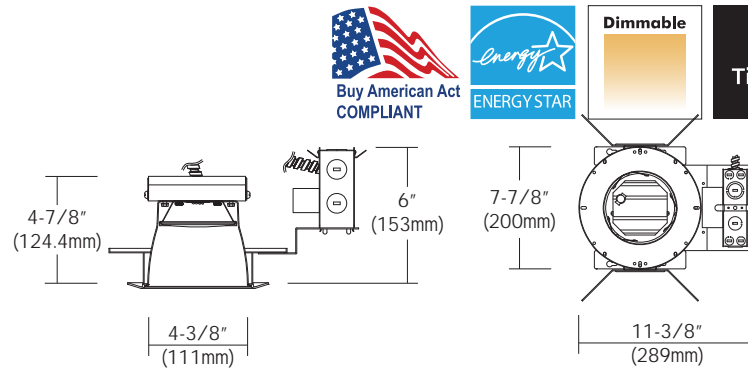
** Consult factory for other Color Temperatures and Finishes

LEDH-AFK4

120V-277VAC LED 4", Non-IC, Architectural Frame-in Kit
Down Light with interchangeable Reflector Trims

Catalog #		Type
Project		Date
Prepared by		

4" LED Architectural Frame-in Kit



DESCRIPTION

The LEDH-AFK4 is a 4" LED, Non-IC, Frame-in kit and is available with multiple Trim styles. Designed for use in non-insulated ceilings, Insulation material must be kept a minimum of 3" from fixture. Available with a 14W or 23W, high efficacy LED engine and universal, dimmable drivers. The special optical diffuser produces high lumen transmission and even illumination. Suitable for Wet Locations.

Ceiling Cut-out : 5"

DESIGN FEATURES

Mounting Ring

- 20-gauge CRS mounting ring, painted black. The 1-5/8" deep collar may be used with various ceiling material thicknesses.

LED Module & Trim

- Painted, extruded aluminum heat sink designed to facilitate efficient heat dissipation for superior thermal management and reliability.
- LED engine includes LED, heat sink and lens assembly.
- Heavy gauge aluminum reflector anodized in clear haze or white paint finishes. Multiple trim styles and finishes are available.

LED Driver

- Universal, 120-277 VAC input, high efficiency dimming drivers with Triac/ELV dimmer switches or Triac/ELV/0-10V dimmer switches.
- Drivers feature power factor >.90, THD <20% with integral thermal protection to sense over temperature or electrical issues.
- Driver mounts externally to the module to allow future replacement or upgrading if desired.
- Optional Lutron Hi-lume A-Series, LED drivers and EcoSystem 5-Series LED drivers are available. Lutron drivers provide flicker-free, smooth, continuous dimming down to 1% for Hi-lume and 5% for EcoSystem. (Contact factory for dimming system requirements)

Mounting Channel Bracket

- Commercial mounting kit provides up to 5" vertical adjustment and accommodates 1/2" EMT conduit. Optional HBC-24 bar hanger for T-bar grid or concealed spline ceiling are also available.

Junction Box

- Listed for through branch circuit wiring. (Max.8 No 12 AWG 90 branch circuit conductors: 4 in, 4 out)
- (5) 1/2" knockouts with pry-out slots and (4) knockouts with Romex cable clamps.
- Ground wire provided on J-box.

Options

- Emergency battery back-up : Available in mounted to fixture or remote adjacent to luminaire (consult with factory for space requirements).

Limited Warranty

- LED Module: 5 years/50K hours
- Product/Driver: 3 years

Listing

- cETLus Wet Location
- ENERGY STAR
- California Title 24

SPECIFICATION	
Input Voltage	120-277VAC
Wattage (+/-5%)	14 W 23W
Lumen (+/-5%)	950lm 1,740lm
Efficacy (LPW)	67.9 lm/W 75.6 lm/W
Beam Angle	67.7° 69.3°
CRI (Typical)	80, 90
CCT (Color +/-5%)	2700K, 3000K, 3500K, 4000K
Dimming	Triac/ELV, Triac/ELV/0-10V, or Lutron Dimming
LED Module	5 yr /50K hr
Environment	Wet Location

• Triac/ELV/0-10V Approved Dimmers

* Lutron:

Triac: Skylark S-600
ELV: NovaT NTELV-300 & 600
Diva DVELV-300P & 303P
Maestro MAELV-600
Skylark SEL-VB-300P

0-10V:

Diva DDTV
Diva DVSTV-IV
CFL/LED: Diva DVCL-253P
Ariadni AYCL-253P

* Leviton:

Triac: Trimatron #705W
ELV: IPE04-1L (ELV)
Acenti: ATE06-1LW

* Consult tech. service or factory for additional dimmers

* Provided: Easy-quick connector case (patent pending)



08/28/2020

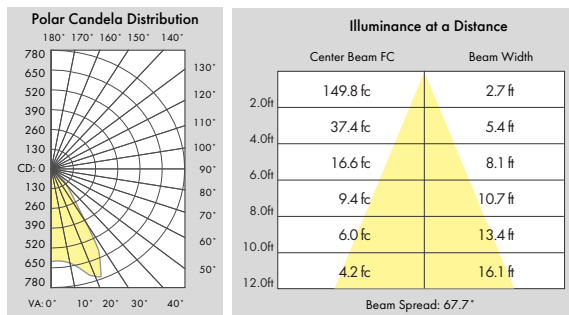


TRIM

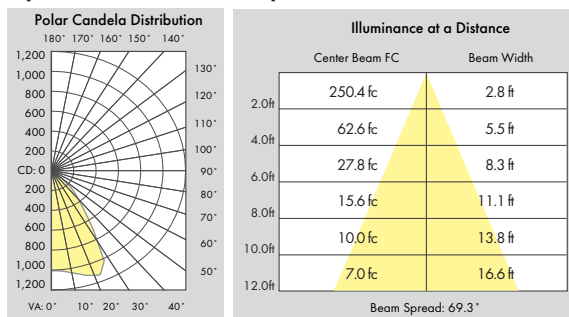


*Wide beam reflector is standard. Also available narrow beam in reflector(consult with factory).
 *All trims are rated for damp location and regressed lens trims are wet location listed.
 *LEDT-R441 & LEDT-R422 are suitable and rated for shower location.

PHOTOMETRIC REPORT * Contact Factory for IES File



[LEDH-AFK4-14-830+LEDT-R44]



[LEDH-AFK4-23-830+LEDT-R44]

Ordering Information

Housing

LEDH-AFK4 = 4", Non-IC, Architectural Frame-in Down Light Kit

-Watts

-14 = 14W
-23 = 23W

-CRI

-8 = 80
-9 = 90

Color Temp.**

27 = 2700K
30 = 3000K
35 = 3500K
40 = 4000K

Driver*

UTD = 120-277VAC, Triac/ELV Dimming
 UZTD = 120-277V, Triac/ELV/0-10V Dimming
 LTD = Lutron Hi-lume 1% Dimming
 LSD = Lutron EcoSystem 5% Dimming
 LTE = Lutron Hi-lume 1% 2-Wire Dimming

*Option

-EM = Emergency Battery Backup

Trim

LEDT-R44
 LEDT-R414
 LEDT-R441
 LEDT-R422
 LEDT-R436
 LEDT-R440
 LEDT-R450

*Option :

-FT-4SR = Sloped Ceiling Adaptor

-Reflector Finish**

-HC = Haze Clear
 -WH = White Painted

Baffle Finish for LEDT-R414 & R441

-WH = White
 -BK = Black

Optional Metal Trim Ring Finish

-WH = White Plastic Trim Ring (Standard)
 -WMR = White Metal Ring
 -SN = Satin Nickel
 -CH = Chrome
 -SF = Polished Self-Flange (for Open or Wall Wash Reflectors ONLY)

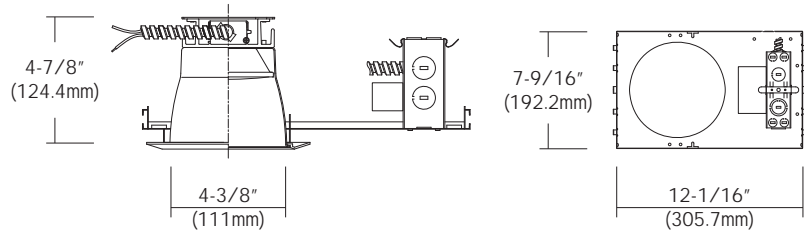
** Consult factory for other Color Temperatures and Finishes

LEDH-CFK4

120V-277VAC LED 4", Non-IC, Commercial Flat Frame-in Kit
Down Light with interchangeable Reflector Trims

Catalog #		Type
Project		Date
Prepared by		

4" LED Commercial Flat Frame-in Kit



DESCRIPTION

The LEDH-CFK4 is a 4" LED, Non-IC Commercial Flat Frame-in kit and is available with multiple Trim styles. Designed for use in non-insulated ceilings, Insulation material must be kept a minimum of 3" from fixture. Available with a 14W or 23W, high efficacy LED engine and universal, dimmable drivers. The special optical diffuser produces high lumen transmission and even illumination. Suitable for Wet Locations.

Ceiling Cut-out : 5"

DESIGN FEATURES

Mounting Frame

- Galvanized steel construction.
- Housing adjusts for ceilings up to 1-1/4" thick.

LED Module & Trim

- Painted, extruded aluminum heat sink designed to facilitate efficient heat dissipation for superior thermal management and reliability.
- LED engine includes LED, heat sink and lens assembly.
- Heavy gauge aluminum reflector anodized in clear haze or white paint finishes. Multiple trim styles and finishes are available.

LED Driver

- Universal, 120-277 VAC input, high efficiency dimming drivers with Triac/ELV dimmer switches or Triac/ELV/0-10V dimmer switches.
- Drivers feature power factor >.90, THD <20% with integral thermal protection to sense over temperature or electrical issues.
- Driver mounts externally to the module to allow future replacement or upgrading if desired.
- Optional Lutron Hi-lume A-Series, LED drivers and EcoSystem 5-Series LED drivers are available. Lutron drivers provide flicker-free, smooth, continuous dimming down to 1% for Hi-lume and 5% for EcoSystem. (Contact factory for dimming system requirements)

Junction Box

- Listed for through branch circuit wiring. (Max.8 No 12 AWG 90 branch circuit conductors: 4 in, 4 out)
- (5) 1/2" knockouts with pry-out slots and (4) knockouts with Romex cable clamps.
- Ground wire provided on J-box.

Bar Hangers

- 24" Bar Hangers provide stability and support on joists and T-Bar Grid ceilings.
- Housing can be positioned at any point within 24" joist spacing.
- Score lines allow easy "bend & snap-off" shortening for 12" joist spacing.

Options

- Emergency battery back-up : Available in mounted to fixture or remote, adjacent to luminaire (consult with factory for space requirements).

Limited Warranty

- LED Module: 5 years/50K hours
- Product/Driver: 3 years

Listing

- cETLus Wet Location
- ENERGY STAR
- California Title 24

SPECIFICATION	
Input Voltage	120-277VAC
Wattage (+/-5%)	14 W 23W
Lumen (+/-5%)	950lm 1,740lm
Efficacy (LPW)	67.9 lm/W 75.6 lm/W
Beam Angle	67.7° 69.3°
CRI (Typical)	80, 90
CCT (Color +/-5%)	2700K, 3000K, 3500K, 4000K
Dimming	Triac/ELV, Triac/ELV/0-10V, or Lutron Dimming
LED Module	5 yr/50K hr
Environment	Wet Location

Triac/ELV/0-10V Approved Dimmers

* Lutron:

Triac: Skylark S-600
 ELV: NovaT NTELV-300 & 600
 Diva DVELV-300P & 303P
 Maestro MAELV-600
 Skylark SEL-VB-300P
 0-10V: Diva DDTV
 Diva DVSTV-IV
 CFL/LED: Diva DVCL-253P
 Ariadni AYCL-253P

* Leviton:

Triac: Trimatron #705W
 ELV: IPE04-1L (ELV)
 Acenti: ATE06-1LW

* Consult tech. service or factory for additional dimmers

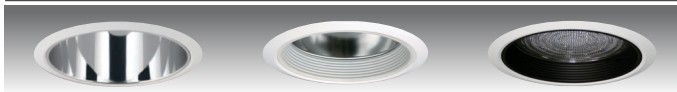
* Provided: Easy-quick connector case (patent pending)



08/27/2020



TRIM



LEDT-R44
Specular Open Reflector

LEDT-R414
Baffle w / Reflector

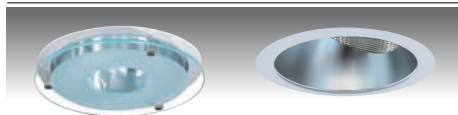
LEDT-R441
Baffle w / Regressed Lens



LEDT-R422
Reflector w / Regressed Lens

LEDT-R436
Wall Wash w / Reflector Plate

LEDT-R440
Reflector w / Frosted Floating Lens

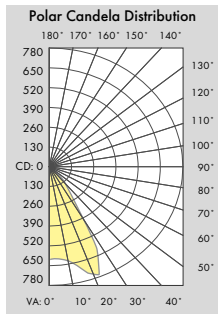


LEDT-R450
Reflector with Frosted 3.5" Center Hole Lens

***FT-4SR**
Optional Sloped Ceiling Adaptor

*Wide beam reflector is standard. Also available narrow beam in reflector(consult with factory).
*All trims are rated for damp location and regressed lens trims are wet location listed.
*LEDT-R441 & LEDT-R422 are suitable and rated for shower location.

PHOTOMETRIC REPORT * Contact Factory for IES File

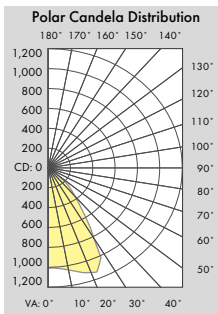


Illuminance at a Distance

Center Beam FC	Beam Width
2.0ft	2.7ft
4.0ft	5.4ft
6.0ft	8.1ft
8.0ft	10.7ft
10.0ft	13.4ft
12.0ft	16.1ft

Beam Spread: 67.7°

[LEDH-CFK4-14-830+LEDT-R44]



Illuminance at a Distance

Center Beam FC	Beam Width
2.0ft	2.8ft
4.0ft	5.5ft
6.0ft	8.3ft
8.0ft	11.1ft
10.0ft	13.8ft
12.0ft	16.6ft

Beam Spread: 69.3°

[LEDH-CFK4-23-830+LEDT-R44]

Ordering Information

Model

LEDH-CFK4 = 4", Non-IC, Commercial Flat Frame-in Down Light Kit

-Watts

-14 = 14W
-23 = 23W

-CRI

-8 = 80
-9 = 90

Color Temp. **

27 = 2700K
30 = 3000K
35 = 3500K
40 = 4000K

Driver*

UTD = 120~277VAC, Triac/ELV Dimming
UZTD = 120~277V, Triac/ELV/0-10V Dimming
L1D = Lutron Hi-lume 1% Dimming
L5D = Lutron EcoSystem 5% Dimming
L7E = Lutron Hi-lume 1% 2-Wire Dimming

*Option : Emergency

-EM = Emergency Battery Backup

Trim

- LEDT-R44
- LEDT-R414
- LEDT-R441
- LEDT-R422
- LEDT-R436
- LEDT-R440
- LEDT-R450

*Option :

-FT-4SR = Sloped Ceiling Adaptor

-Reflector Finish**

- HC = Haze Clear
- WH = White Painted

Baffle Finish for LEDT-R414 & R441

- WH = White
- BK = Black

Optional Metal Trim Ring Finish

- WH = White Plastic Trim Ring (Standard)
- WMR = White Metal Ring
- SN = Satin Nickel
- CH = Chrome
- SF = Polished Self-Flange (for Open or Wall Wash Reflectors ONLY)

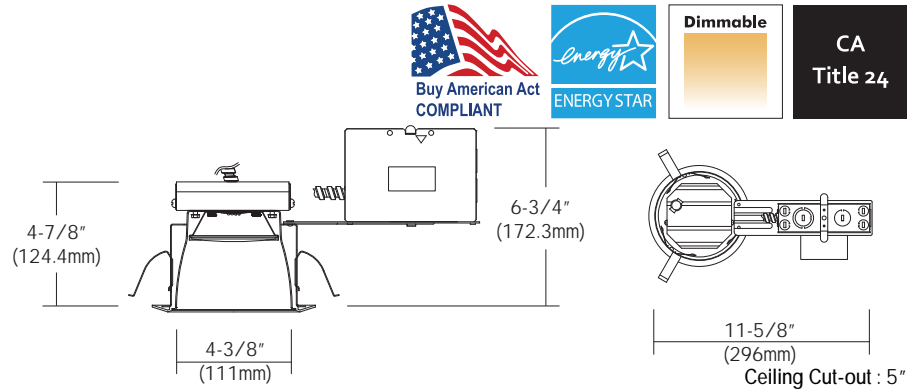
** Consult factory for other Color Temperatures and Finishes

LEDH-RFK4

120V-277VAC LED 4", Non-IC, Remodel Frame-in Kit
Down Light with interchangeable Reflector Trims

Catalog #		Type
Project		Date
Prepared by		

4" LED Remodel Frame-in Kit



DESCRIPTION

The LEDH-RFK4 is a 4" LED, Remodel Frame-in kit and is available with multiple Trim styles. Designed for use in non-insulated ceilings, Insulation material must be kept a minimum of 3" from fixture. Available with a 14W or 23W, high efficacy LED engine and universal, dimmable drivers. The special optical diffuser produces high lumen transmission and even illumination. Suitable for Wet Locations.

DESIGN FEATURES

LED Module & Trim

- Painted, extruded aluminum heat sink designed to facilitate efficient heat dissipation for superior thermal management and reliability.
- LED engine includes LED, heat sink and lens assembly.
- Heavy gauge aluminum reflector anodized in clear haze or white paint finishes. Multiple trim styles and finishes are available.

LED Driver

- Universal, 120-277 VAC input, high efficiency dimming drivers with Triac/ELV dimmer switches or Triac/ELV/0-10V dimmer switches.
- Drivers feature power factor > .90, THD < 20% with integral thermal protection to sense over temperature or electrical issues.
- Driver mounts externally to the module to allow future replacement or upgrading if desired.
- Optional Lutron Hi-lume A-Series, LED drivers and EcoSystem 5-Series LED drivers are available. Lutron drivers provide flicker-free, smooth, continuous dimming down to 1% for Hi-lume and 5% for EcoSystem. (Contact factory for dimming system requirements)

Remodel Clips

- 3 remodel clips secure housing into the ceiling and accommodates 1/2" and 5/8" ceiling materials.

Junction Box

- Listed for through branch circuit wiring. (Max. 8 No 12 AWG 90 branch circuit conductors: 4 in, 4 out)
- (5) 1/2" knockouts with pry-out slots and (4) knockouts with Romex cable clamps.
- Ground wire provided on J-box.

Options

- Emergency battery back-up : Available in mounted to fixture or remote, adjacent to luminaire (consult with factory for space requirements).

Limited Warranty

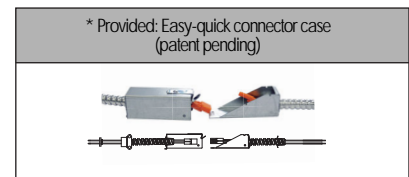
- LED Module: 5 years/50K hours
- Product/Driver: 3 years

Listing

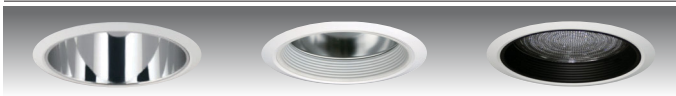
- cETLus Wet Location
- ENERGY STAR
- California Title 24

SPECIFICATION	
Input Voltage	120-277VAC
Wattage (+/-5%)	14 W 23W
Lumen (+/-5%)	950lm 1,740lm
Efficacy (LPW)	67.9lm/W 75.6lm/W
Beam Angle	67.7° 69.3°
CRI (Typical)	80, 90
CCT (Color +/-5%)	2700K, 3000K, 3500K, 4000K
Dimming	Triac/ELV, Triac/ELV/0-10V, or Lutron Dimming
LED Module	5 yr/50K hr
Environment	Wet Location

* Triac/ELV/0-10V Approved Dimmers	
* Lutron:	
Triac:	Skylark S-600
ELV:	NovaT NTELV-300 & 600 Diva DVCL-300P & 303P Maestro MAELV-600 Skylark SEL-VB-300P
0-10V:	Diva DDTV Diva DVSTV-IV
CFL/LED:	Diva DVCL-253P Ariadni AYCL-253P
* Leviton:	
Triac:	Trimatron #705W
ELV:	IPEO4-1L (ELV) Acenti: ATEO6-1LW
* Consult tech. service or factory for additional dimmers	



TRIM



LEDT-R44
Specular Open Reflector

LEDT-R414
Baffle w / Reflector

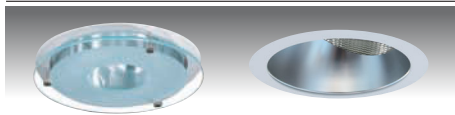
LEDT-R441
Baffle w / Regressed Lens



LEDT-R422
Reflector w / Regressed Lens

LEDT-R436
Wall Wash w / Reflector Plate

LEDT-R440
Reflector w / Frosted Floating Lens

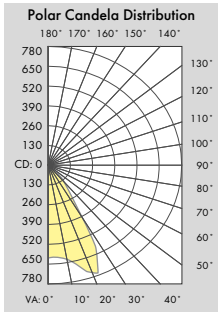


LEDT-R450
Reflector with Frosted 3.5" Center Hole Lens

*** FT-4SR**
Optional Sloped Ceiling Adaptor

*Wide beam reflector is standard. Also available narrow beam in reflector(consult with factory).
*All trims are rated for damp location and regressed lens trims are wet location listed.
*LEDT-R441 & LEDT-R422 are suitable and rated for shower location.

PHOTOMETRIC REPORT * Contact Factory for IES File

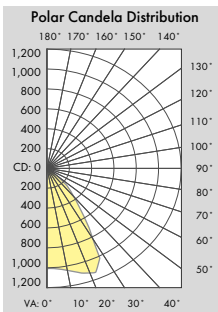


Illuminance at a Distance

Center Beam FC	Beam Width
149.8 fc	2.7 ft
37.4 fc	5.4 ft
16.6 fc	8.1 ft
9.4 fc	10.7 ft
6.0 fc	13.4 ft
4.2 fc	16.1 ft

Beam Spread: 67.7°

[LEDH-RFK4-14-830+LEDT-R44]



Illuminance at a Distance

Center Beam FC	Beam Width
250.4 fc	2.8 ft
62.6 fc	5.5 ft
27.8 fc	8.3 ft
15.6 fc	11.1 ft
10.0 fc	13.8 ft
7.0 fc	16.6 ft

Beam Spread: 69.3°

[LEDH-RFK4-23-830+LEDT-R44]

Ordering Information

Housing

LEDH-RFK4 = 4", Non-IC, Remodel Frame-in Down Light Kit

-Watts

-14 = 14W
-23 = 23W

-CRI

-8 = 80
-9 = 90

Color Temp.**

27 = 2700K
30 = 3000K
35 = 3500K
40 = 4000K

Driver*

UTD = 120~277VAC, Triac/ELV Dimming
UZTD = 120~277V, Triac/ELV/0-10V Dimming
L1D = Lutron Hi-lume 1% Dimming
L5D = Lutron EcoSystem 5% Dimming
LTE = Lutron Hi-lume 1% 2-Wire Dimming

*Option : Emergency

-EM = Emergency Battery Backup

Trim

LEDT-R44
LEDT-R414
LEDT-R441
LEDT-R422
LEDT-R436
LEDT-R440
LEDT-R450

*Option :

-FT-4SR = Sloped Ceiling Adaptor

-Reflector Finish**

-HC = Haze Clear
-WH = White Painted

Baffle Finish for LEDT-R414 & R441

-WH = White
-BK = Black

Optional Metal Trim Ring Finish

-WH = White Plastic Trim Ring (Standard)
-WMR = White Metal Ring
-SN = Satin Nickel
-CH = Chrome
-SF = Polished Self-Flange (for Open or Wall Wash Reflectors ONLY)

** Consult factory for other Color Temperatures and Finishes

4" LED Commercial Flat Frame-in Kit

TRIM



LEDT-R44
Specular Open Reflector

LEDT-R414
Baffle w / Reflector

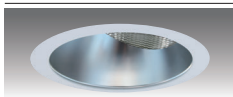
LEDT-R441
Baffle w /
Regressed Lens



LEDT-R422
Reflector w /
Regressed Lens

LEDT-R436
Wall Wash w /
Reflector Plate

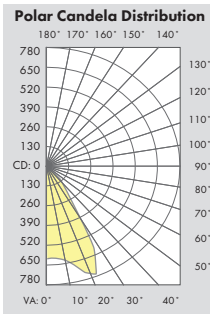
LEDT-R440
Reflector w /
Frosted Floating Lens



***FT-4SR**
Optional Sloped Ceiling
Adaptor

- * Wide beam reflector is standard. Also available narrow beam in reflector(consult with factory).
- * All trims are rated for damp location and regressed lens trims are wet location listed.
- * LEDT-R441 & LEDT-R422 are suitable and rated for shower location.

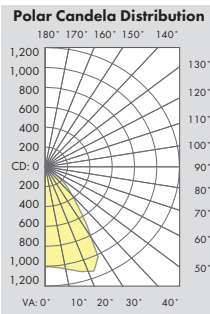
PHOTOMETRIC REPORT * Contact Factory for IES File



Height	Center Beam FC	Beam Width
2.0ft	149.8 fc	2.7 ft
4.0ft	37.4 fc	5.4 ft
6.0ft	16.6 fc	8.1 ft
8.0ft	9.4 fc	10.7 ft
10.0ft	6.0 fc	13.4 ft
12.0ft	4.2 fc	16.1 ft

Beam Spread: 67.7°

[LEDH-CFK41C-14-830+LEDT-R44]



Height	Center Beam FC	Beam Width
2.0ft	250.4 fc	2.8 ft
4.0ft	62.6 fc	5.5 ft
6.0ft	27.8 fc	8.3 ft
8.0ft	15.6 fc	11.1 ft
10.0ft	10.0 fc	13.8 ft
12.0ft	7.0 fc	16.6 ft

Beam Spread: 69.3°

[LEDH-CFK41C-23-830+LEDT-R44]

Ordering Information

Housing

LEDH-CFK41CA = 4", IC/AIR-TIGHT Commercial Flat Frame-in Down Light Kit

-Watts

-14 = 14W
-23 = 23W

-CRI

-8 = 80
-9 = 90

Color Temp.**

27 = 2700K
30 = 3000K
35 = 3500K
40 = 4000K

Driver*

UTD = 120~277VAC, Triac/ELV Dimming
UZTD = 120~277V, Triac/ELV/0-10V Dimming
L1D = Lutron Hi-lume 1% Dimming
L5D = Lutron EcoSystem 5% Dimming
LTE = Lutron Hi-lume 1% 2-Wire Dimming

*Option : Emergency

-EM = Emergency Battery Backup
MUST have access above ceiling

Trim

LEDT-R44
LEDT-R414
LEDT-R441
LEDT-R422
LEDT-R436
LEDT-R440

*Option :

-FT-4SR = Sloped Ceiling Adaptor

-Reflector Finish**

-HC = Haze Clear
-WH = White Painted

Baffle Finish for LEDT-R414 & R441

-WH = White
-BK = Black

Optional Metal Trim Ring Finish

-WH = White Plastic Trim Ring (Standard)
-WMR = White Metal Ring
-SN = Satin Nickel
-CH = Chrome
-SF = Polished Self-Flange

** Consult factory for other Color Temperatures and Finishes