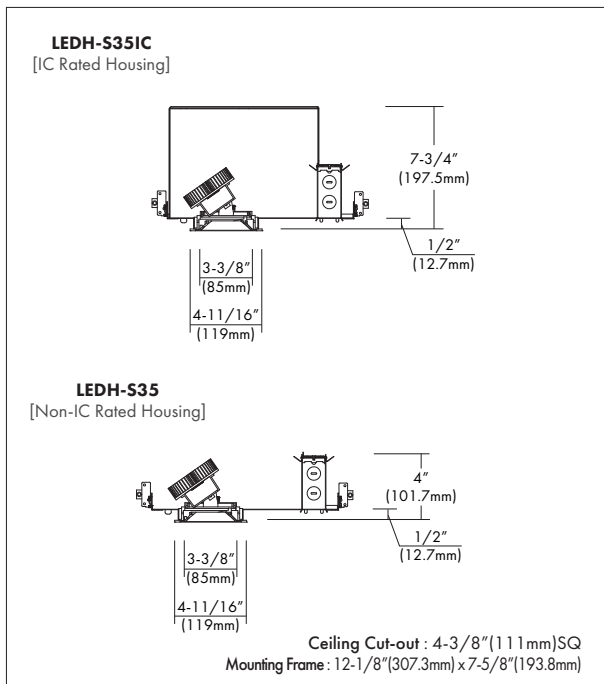


LEDH-S35, LEDH-S35IC

120-277VAC, 3.5" Square LED Non-IC and IC Type Architectural Downlights



Test Specification				
[LEDH-S35IC-xx UZTD		QT-322-xx-830M-WHWH]		
LED Quantity	1 EA (COB)			
Input Voltage	120~277V			
Wattage (+/-5%)	10W	14W	23W	30W
Nominal Lumens	1,000	1,400	2,300	3,000
Delivered Lumen (+/-5%)	850	1,070	1,600	2,630
Efficacy (LPW) (+/-5%)	85	76.4	69.6	87.7
Luminaire Beam	36°	36°	42°	48°
CCT (Color +/-5%)	2700K, 3000K, 3500K, 4000K			
CRI (Typical)	80, 90			
Dimming	0~10V, ELV & TRIAC Optional Lutron Drivers			
LED Module	5 yr or 50K hr			
Environment	Damp Location & *optional Wet Location			



Design Features

- Light-weight aluminum housing, adjusts for ceilings up to 1-1/4" thick.
- Driver is remotely installed onto the J-box to isolate it from the LED module.
- Dimming capability is standard with most 0~10V, ELV & TRIAC dimmers.
- Optional Lutron Hi-lume 1%, LED drivers are available. Lutron drivers provide flicker-free, smooth, continuous dimming down to 1%. (Contact factory for dimming system requirements)
- Hanger bars and multi-channel brackets are pre-installed.
- Multiple reflector distribution patterns available: pinhole trim with Narrow Spot (NS), Narrow beam (N), Medium beam (M), and Wide beam (W).
- Precision diecast aluminum trim frame painted and available with Trim or Trimless design with Drywall Mud Frame kit.
- Cold forged aluminum heat sink is painted for efficient heat dissipation.
- The LEDH-S35IC luminaire is listed as Type IC and is suitable for direct contact with insulation.
- Certified to IESNA LM-79: Electrical and Photometric Testing for Solid State Lighting. LED chip set is LM80 compliant.
- cETLus Listed.

Trims :



QT-329
- Haze Clear Reflector



QT-338
- Haze Clear Lens
Wall Wash Reflector



QT-322
- Haze Clear Straight Reflector
with Regressed Frosted Lens



QT-325
- Angle cut reflector adjustable from 0° ~40° for accurate aiming with a screw driver from below ceiling. This allows easy, targeted illumination of desired areas.



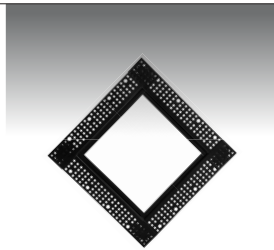
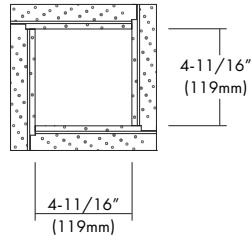
LEDH-S35, LEDH-S35IC

120-277VAC, 3.5" Square LED Non-IC and IC Type Architectural Downlights

Option

TML-352-MUD

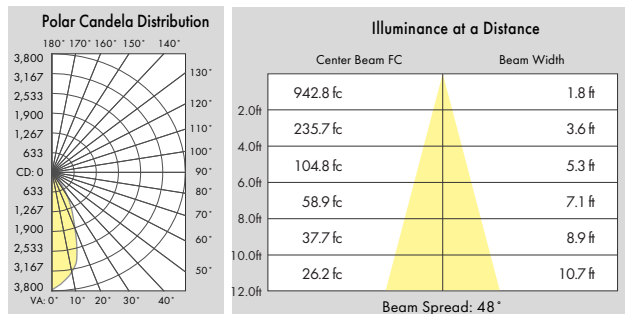
[3.5" Square Flangeless Mud Frame]



Trimless Ceiling Cut-out : 4-15/16" (125mm) SQ

PHOTOMETRIC REPORT*

* Contact Factory for IES File



[QT-322-30-830M]

Ordering Information

Housing

IC Housing:
LEDH-S35IC

Non-IC Housing:
LEDH-S35

-Watts

-10 = 10W
-14 = 14W
-23 = 23W
-30 = 30W (For Non-IC Housing Only)

Driver*

UZTD = 120~277V, with Triac, ELV
& 0-10V Dimming

LDE1 = **LUTRON**. Hi-lume 1% EcoSystem FadeToBlack

PEQ01 = **LUTRON**. Hi-lume Premier 0.1% EcoSystem
FadeToBlack (For 23W or less only)

*Option: Emergency (Non-IC only)

-EM = Emergency Battery Backup

Trim/LED Kit*

QT-329 = Straight
QT-338 = Wall Wash
QT-322 = Straight with Regressed Frosted Lens
QT-325 = Adjustable

-Wattage

-10 = 10W
-14 = 14W
-23 = 23W
-30 = 30W (For Non-IC Housing Only)

-CRI

-8 = 80
-9 = 90

Color Temp. **

27 = 2700K
30 = 3000K
35 = 3500K
40 = 4000K

Beam Angle

Upper Reflector:
NS = Narrow Spot 15°
N = Narrow 24°
M = Medium 38°
W = Wide 60°

-Finishes**

Reflector:
-HC = Haze Clear (Standard)
-WH = White

Trim:
-WH = White (Standard)

*-Option: Sealed Lens

TML-352-MUD = Flangeless Mud Frame

** Consult factory for other Color Temperatures and Finishes