

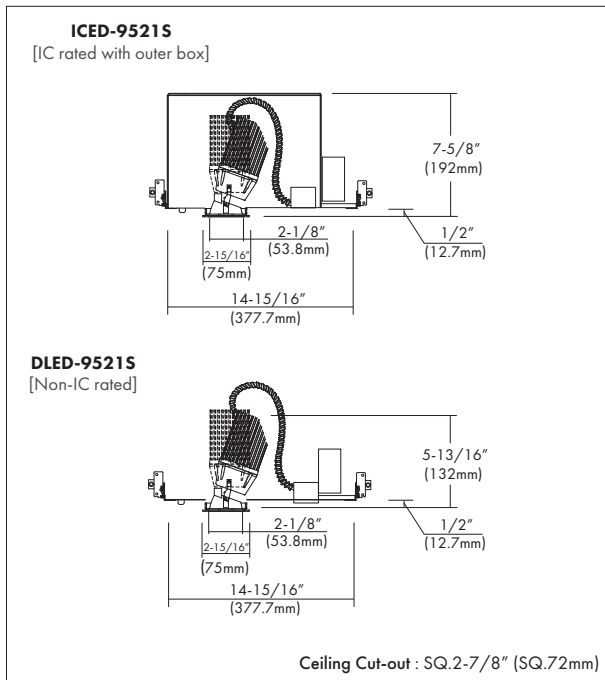
# ICED-9521S, DLED-9521S (Special Order Fixtures)

Universal 120-277VAC LED, 2" LED, IC and Non-IC type  
Square Architectural Recessed Lights



Test Specification			
ICED-9521S	TML-112S-ST-xx-830-UZTD-WH-WH-M		
LED Quantity	1EA (COB)		
Input Voltage	120-277V		
Wattage (+/-5%)	<b>10W</b>	<b>15W</b>	<b>23W*</b>
Lumen (+/-5%)	870	1,200	1,800
Efficacy (LPW) (+/-5%)	87	80	78.3
CCT (Color +/-5%)	2700K, 3000K, 3500K, 4000K		
CRI (Typical)	80, 90		
Dimming	0-10V/TRIAC/ELV Dimming		
LED Module	5 yr or 50K hr		
Environment	Indoor, Damp		

\*23W NON-IC Only



### Design Features

- Four different beam distributions available: Narrow Spot, Narrow, Medium and Wide
- Designed for ceiling thickness up to 1-1/4".
- All results are according to IESNA LM-79-2008 : Approved Method for the Electrical and Photometric Testing of Solid-State Lighting. The US. Department of Energy (DOE) verifies product test data and results. LED chips provided with fixtures are in compliance with LM80.
- Listing: CSA us

**Trims** : Various trims for straight down lights (-ST), Adjustable (-AJ)



**TML-112S-ST**

- Straight fixed lamp
- Included "Solite" soft focus lens.

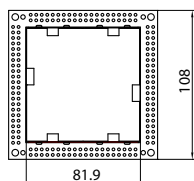
**TML-112S-AJ**

- Adjustable 0-30° tilt

### Option

#### TML-124S-MUD

[ 2" Square Flangeless Mud Frame]



# ICED-9521S, DLED-9521S (Special Order Fixtures)

Universal 120-277VAC LED, 2" IC and Non-IC type  
Square Architectural Recessed Lights

## Ordering Information

### Housing

**ICED-9521S** = 2" Square IC Housing

**DLED-9521S** = 2" Square Non-IC Housing

### LED Trim / Module

**TML-112S-ST** = Straight

**TML-112S-AJ** = Adjustable

### -Watts

**-10** = 10W

**-15** = 15W

**-23** = 23W (NON-IC Only)

### -CRI

**-8** = 80

**-9** = 90

### Color Temp. \*\*

**27** = 2700K

**30** = 3000K

**35** = 3500K

**40** = 4000K

### -Beam Angle

*Upper Reflector:*

**-NS** = Narrow Spot 15°

**-N** = Narrow 24°

**-M** = Medium 38°

**-W** = Wide 60°

### Driver\*

**UTD** = 120~277V, with TRIAC/ELV Dimming

**UZTD** = 120~277V, with 0~10V Dimming

\*Option : Emergency (Non-IC only)

**-EM** = Emergency Battery Backup

NOTE: Requires access above the ceiling or install an access panel to service emergency battery and LED driver.

### -Finish

*Reflector:*

**-WH** = White (Standard)

**-SI** = Silver

**-BRZ** = Bronze

**-BK** = Black

*Trim:*

**-WH** = White (Standard)

**-SI** = Silver

**-BRZ** = Bronze

**-BK** = Black

\*Option :

**-WRL** = Wet Location Sealed Lens

**-TML-124S-MUD** = Flangeless Mud Frame

\*\* Consult factory for other Color Temperatures and Finishes