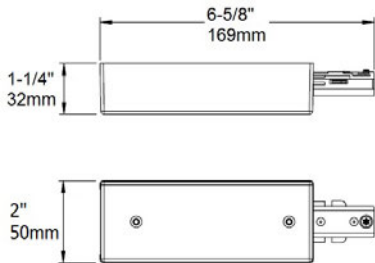


H1CLx

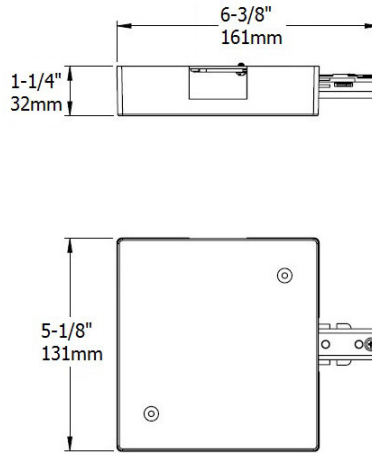
120 VAC, Halo H1 Track, Single Circuit Current Limiting Feeds
CA Title 24 Compliant

Catalog #		Type
Project		Date
Prepared by		

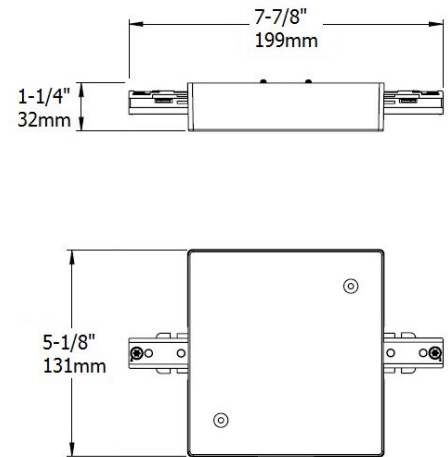
MINI END FEED (H1CLM)



END FEED (H1CLE)



IN-LINE FEED (H1CLI)



DESCRIPTION

Current Limiting Feeds is an integrated solution for complying with today's stringent energy codes. Designed to be installed at every track system feed point, the built-in circuit breaker limit available power to the circuit.

CONSTRUCTION

Galvanized steel mounting plate.
Accepts 3/8" or 1/2" electrical fittings.
Injection molded polycarbonate cover.
Tamper resistant screws secure cover and track.
Resettable rocker switch.

ELECTRICAL

Input 120VAC 50/60Hz

LABELS

cULus Listed
Approved by the California Energy Commission to meet the requirements of Title 24

WARRANTY

18 months

ORDERING INFORMATION

HOUSING TYPE	CIRCUIT BREAKER RATING	FINISH
H1CLM Current Limiting Mini End Feed	0060 – 60W, 0.5A	BK – Black
	0120 – 120W, 1A	WT – White
	0240 – 240W, 2A	
	0360 – 360W, 3A	
	0480 – 480W, 4A	
	0600 – 600W, 5A	
	1200 – 1200W, 10A	

H1CLM		-
-------	--	---

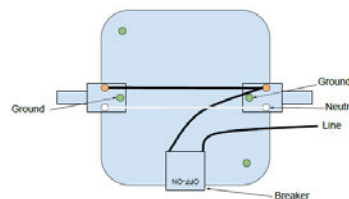
HOUSING TYPE	CIRCUIT BREAKER RATING	FINISH
H1CLE Current Limiting End Feed	0060 – 60W, 0.5A	BK – Black
	0120 – 120W, 1A	WT – White
	0240 – 240W, 2A	
	0360 – 360W, 3A	
	0480 – 480W, 4A	
	0600 – 600W, 5A	
	1200 – 1200W, 10A	

H1CLE		-
-------	--	---

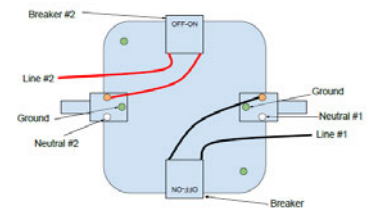
HOUSING TYPE	CIRCUIT BREAKER RATING #1	CIRCUIT BREAKER RATING #2	FINISH
H1CLI Current Limiting In-Line Feed	0060 – 60W, 0.5A	0060 – 60W, 0.5A	BK – Black
	0120 – 120W, 1A	0120 – 120W, 1A	WT – White
	0240 – 240W, 2A	0240 – 240W, 2A	
	0360 – 360W, 3A	0360 – 360W, 3A	
	0480 – 480W, 4A	0480 – 480W, 4A	
	0600 – 600W, 5A	0600 – 600W, 5A	
	1200 – 1200W, 10A	1200 – 1200W, 10A	
		0000 – -none-	

H1CLI			-
-------	--	--	---

Note: When specifying dual breaker, please list the lower rating first.



Example A – (1) 1200W circuit
H1CLI 1200 0000 -xx



Example B – 120W + 480W
H1CLI 0120 0480 -xx