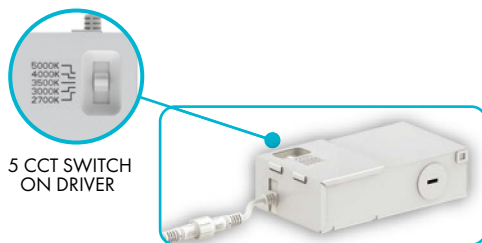


LT23730~33 Series

120 VAC, LED, 3", 4", 6", 8" IC, Round
 Recessed Mini Panel - Baffled Trim with
 5 Selectable CCT

Catalog #		Type
Project		Date
Prepared by		



5 CCT SWITCH ON DRIVER

COMPATIBLE WITH:	
LT35123	
EM LED DRIVER	
LT41002	
NEW CONSTRUCTION MOUNTING PLATE	



SPECIFICATIONS

ELECTRICAL

	MODEL	DESCRIPTION	POWER	INPUT VOLTS	DIMMABLE	FREQUENCY	LUMEN EFFICACY	LIFETIME
3"	LT23730	LED/MINI3/PANEL/5CCT/RD/B	6	120V	YES	60Hz	66	50,000
4"	LT23731	LED/MINI4/PANEL/5CCT/RD/B	10.5	120V	YES	60Hz	71.4	50,000
6"	LT23732	LED/MINI6/PANEL/5CCT/RD/B	14	120V	YES	60Hz	82	50,000
8"	LT23733	LED/MINI8/PANEL/5CCT/RD/B	23	120V	YES	60Hz	78	50,000

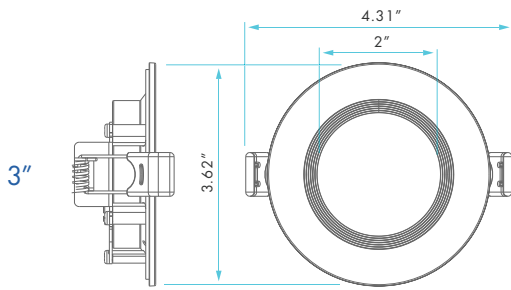
PHOTOMETRIC

MODEL	COLOR (CCT)	TEMP	LUMEN	CRI
LT23730	2700K/3000K/3500K/4000K/5000K	CCT SELECT	400	90
LT23731	2700K/3000K/3500K/4000K/5000K	CCT SELECT	750	90
LT23732	2700K/3000K/3500K/4000K/5000K	CCT SELECT	1150	90
LT23733	2700K/3000K/3500K/4000K/5000K	CCT SELECT	1800	90

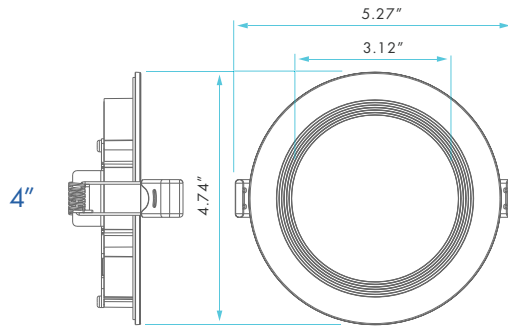
GENERAL

CASE	IC RATED	WET LOCATION	COST/YR	TITLE 24	UL	ENERGY STAR
6	YES	YES	\$ 1.45	YES	YES	YES
6	YES	YES	\$ 1.45	YES	YES	YES
6	YES	YES	\$ 1.81	YES	YES	YES
6	YES	YES	\$ 1.81	YES	YES	YES

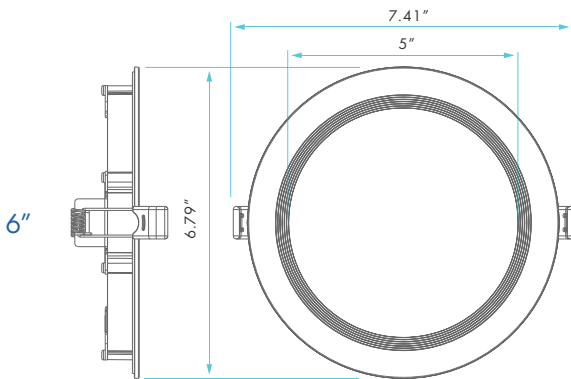
DIMENSIONS



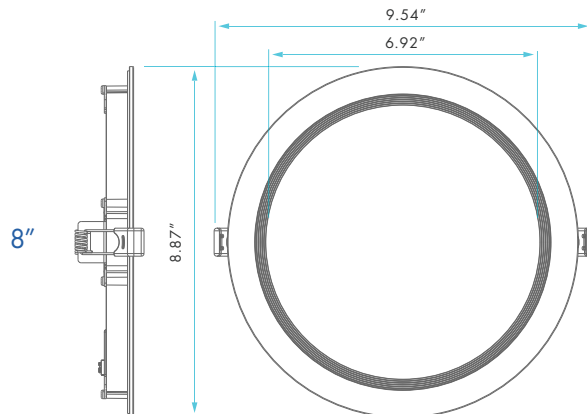
CUTOUT: Ø 3"



CUTOUT: Ø 4.29"



CUTOUT: Ø 6.3"



CUTOUT: Ø 8.3"