

# LEDH-SR5C/W/P-G2 Series

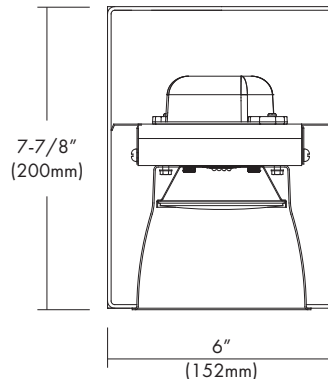
120-277 VAC, 5" LED Ceiling, Wall and Pendant Mount Cylinders

Catalog #		Type
Project		Date
Prepared by		

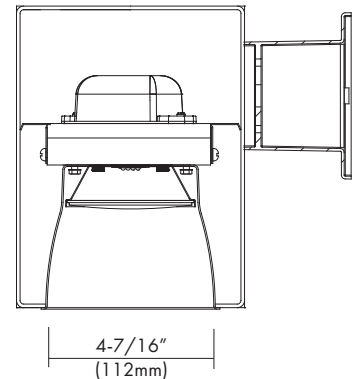
## 5" LED Cylinder



[Pendant Mount : LEDH-SR5P]



[Ceiling Mount : LEDH-SR5C]



[Wall Mount : LEDH-SR5W]

## DESCRIPTION

The LEDH-SR5-G2 Series 5" Surface Mount Cylinders come in three versions : Ceiling "C", Wall "W" and Pendant "P". The fixtures are offered in 10W, 14W and 22W LED, COB modules plus State-of-the-Art universal drivers with Triac, ELV or 0-10V dimming.

## DESIGN FEATURES

### LED Module

- Durable extruded aluminum heat sink is integrated with the LED COB (chip on board).
- Inner reflector enables even distribution with excellent uniformity.

### Reflector

- Anodized haze clear and White painted finishes. Contact factory for other finishes.

### Housing

- Round, 0.60" thick spun aluminum housing available in semi-matte White, Black, Bronze and Silver.

### Heat Sink

- Extruded Aluminum Heat Sink computer designed for superior thermal management to ensure constant light output, color and life of solid state engine components.

### LED Power Supply Driver

- Universal, 120~277 VAC input, high efficiency dimming drivers with ① Triac/ELV dimmer switches or ② Triac/ELV/0-10V dimmer switches.
- Drivers feature power factor >.90, THD <20% with integral thermal protection to sense over temperature or electrical issues.
- Driver mounts externally to the LED module for thermal isolation and allows for easy maintenance if needed.

### Wall Bracket (LEDH-SR5W)

- Cast aluminum bracket easily secures to housing's cross-bar with set screws.

### Limited Warranty

- LED Module & Product: 3 years

### Listing

- cCSAus

SPECIFICATION			
Input Voltage	120-277VAC		
Wattage (+/-5%)	10W	14W	22W
Lumen (+/-5%)	1,000lm	1,400lm	2,200lm
Efficacy (LPW)	100lm/W	100lm/W	100lm/W
Beam Angle	67.7°	67.7°	69.3°
CRI (Typical)	80, 90		
CCT (Color +/-5%)	2700K, 3000K, 3500K, 4000K		
Dimming	Triac/ELV/0~10V		
Environment	Indoor/Outdoor (Ceiling Mount)		

### Triac/ELV/0-10V Approved Dimmers

#### \* Lutron:

Triac: Skylark S-600  
 ELV: NovaT NTELV-300 & 600  
 Diva DVELV-300P & 303P  
 Maestro MAELV-600  
 Skylark SEL-VB-300P

#### 0-10V: Diva DDTV

Divi DVSTV-IV

CFL/LED: Diva DVCL-253P

Ariadni AYCL-253P

#### \* Leviton:

Triac: Trimatron #705W





ELV: IPE04-1L (ELV)

Acenti: ATE06-1LW

\* Consult tech. service or factory for additional dimmers

TRIMS

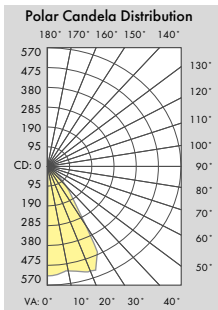
\* Wide beam reflector is standard. Also available in narrow beam in reflector (consult with factory).

<b>LEDT-R54</b>	<b>Specular Open Reflector</b>	
		<b>LEDT-R54</b>
<b>LEDT-R514</b>	<b>Baffle w/ Reflector</b>	
		<b>LEDT-R514</b>
<b>LEDT-R541</b>	<b>Baffle w/ Regressed Lens</b>	
		<b>LEDT-R541</b>
<b>LEDT-R522</b>	<b>Reflector w/ Regressed Lens</b>	
		<b>LEDT-R522</b>

\* All trims are rated for damp location and regressed lens trims are wet location listed.  
\* LEDT-R541 & LEDT-R522 are suitable and rated for shower location.

PHOTOMETRIC REPORT

\* Contact Factory for IES File

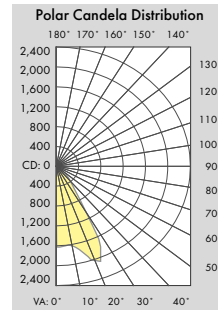


**Illuminance at a Distance**

Center Beam FC	Beam Width
2.0ft: 147.3 fc	2.7 ft
4.0ft: 36.8 fc	5.3 ft
6.0ft: 16.4 fc	8.0 ft
8.0ft: 9.2 fc	10.6 ft
10.0ft: 5.9 fc	13.3 ft
12.0ft: 4.1 fc	16.0 ft

Beam Spread: 66°

[LEDH-SR5C/SR5W/SR5P-14]



**Illuminance at a Distance**

Center Beam FC	Beam Width
2.0ft: 228.7 fc	2.7 ft
4.0ft: 57.2 fc	5.3 ft
6.0ft: 25.4 fc	8.0 ft
8.0ft: 14.3 fc	10.6 ft
10.0ft: 9.2 fc	13.3 ft
12.0ft: 6.4 fc	16.0 ft

Beam Spread: 66°

[LEDH-SR5C/SR5W/SR5P-22]

Ordering Information

Model	Pendant Style/Length	Watts	CRI	Color Temp.*	Driver	Housing Finish*	Trim	Reflector Finish**	Baffle Finish for LEDT-R514 & R541	Reflector Collar for LEDT-R522	Lens for LEDT-R541 & R522
<b>LEDH-SR5C-G2</b> (Ceiling Mount)	Place Style before Length - = Standard Pendant -S = Swivel Mount Pendant	-10 = 10W (UZTD & UTMD Driver Only)	-8 = 80 CRI -9 = 90 CRI	27 = 2700K 30 = 3000K	UTD = 120-277VAC, Triac/ELV Dimming (14W & 22W Only)	-WH = White -BK = Black	<b>LEDT-R54</b> <b>LEDT-R514</b>	-HC = Haze Clear -WH = White Painted	-WH = White -BK = Black	-CL = Clear	-FR = Fresnel
<b>LEDH-SR5W-G2</b> (Wall Mount)	Pendant Lengths 12 = 12 Inches 18 = 18 Inches 24 = 24 Inches	-14 = 14W		35 = 3500K 40 = 4000K	UZTD = 120-277VAC, 0-10V Dimming (10, 14 & 22W)	-BZ = Bronze -S I = Silver	<b>LEDT-R541</b> <b>LEDT-R522</b>				
<b>LEDH-SR5P-G2</b> (Pendant Mount)	Cable and Cord Lengths -C32 = 32 Inches -C58 = 58 Inches -C108 = 108 Inches -C128 = 128 Inches	-22 = 22W			UTMD = 120-277VAC, Tri-Mode (0-10V/ Triac/ELV) Dimming (10, 14 & 22W) *- Option -EM = Emergency battery backup						

Example : LEDH-SR5P-C58-23-830UZTD-WH

LEDT-R54-HC

\* Consult factory for other Color Temperatures and Finishes