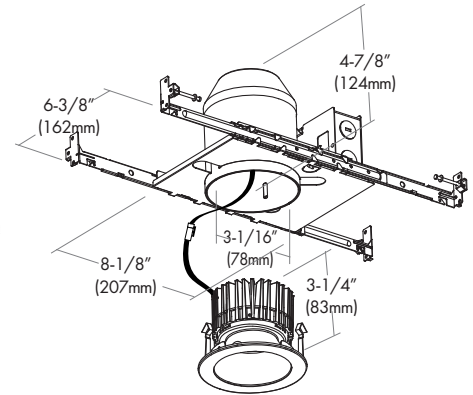
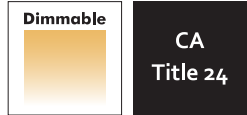


LEDH-RT3ICA

120VAC, 3" IC/Airtight LED Recessed Down Light for New Construction

DoB Driver on Board AC Direct Module	Catalog #		Type
	Project		Date
	Prepared by		

3" LED



Height : 4-7/8"
Housing Aperture : 3-1/16"
Ceiling Cut-out : 3-5/16"

DESIGN FEATURES

Housing

- Galvanized steel housing.
- Housing is adjustable for thickness up to 1-1/4"
- For use in insulated ceilings and can be installed in direct contact with insulation.

Junction Box

- Listed for through branch circuit wiring (Max. 8 No 12 AWG, 90 °C branch circuit conductors).
- (5) 1/2" knockouts with pry-out slots and (4) knockouts with Romex cable clamps.
- Ground wire provided on J-box.

Bar Hangers

- 24" Bar Hangers provide stability and support on joists and T-Bar Grid ceilings.
- Housing can be positioned at any point within 24" joist spacing.
- Score lines allow easy "bend & snap-off" shortening for 12" joist spacing.

Trims

- Standard offerings with baffle trims in painted white or black plus haze clear reflectors. See "Trims" spec sheet for full offerings and ordering information.

Optics

- Lens: Fine, frosted surface of tempered glass provides high lumen transmission and diffusion for even illumination.

LED DOB (Driver on Board)

- 120V AC LED module with integrated IC chip imbed on board.
- Triac dimmable standard.

Limited Warranty

- LED Module: 5 years/50K hours
- Product: 3 years

Listing

- cCSA-us Certificated
- California Title 24
- Damp Location
- Wet Location listed when used with lensed trim.

SPECIFICATION	
Input Voltage	120VAC or 277VAC
Wattage (+/-5%)	DOB 10 W
Lumen (+/-5%)	650 lm
Efficacy (LPW)	65.5 lm/W
Beam Angle	36°
CRI (Typical)	80, 90
CCT (Color +/-5%)	2700K, 3000K, 3500K, 4000K
Dimming	Triac or 0-10V
LED Module	5 yr/50K hr
Environment	Damp Location

◦ Trailing Edge Dimmer	
- Lutron® Model Numbers :	
• Diva®DVCL Series	• Diva®DVLV Series
• Nova T®NT Series	• Glyder®GLV Series
• Ariadni®AYCL Series	• RadioRA 2®10ND Series
• Skylark®SLV Series	• Skylark®SLV Series
• Skylark® Contour CTCL Series	
• Maestro Wireless MRF2-6ND Series	
• Lutron®Homeworks®RPM-4U	
• Lutron®Homeworks®QS HQRD-6ND Series	
• Lutron®Homeworks®QS HQRD-10ND Series	
- Leviton® Model Numbers :	
• SureSlide 6633	
◦ Leading Edge Dimmer	
- Lutron® Model Numbers :	
• Diva®DVELV Series	• Skylark®SELV Series
• Nova T®NTELV Series	• RadioRA RRD-6NA Series
• Maestro MAELV Series	• Maestro MRF2-6ELV Series
• Lutron®Grafik Eye PHPM-PA Series	
• Lutron®Homeworks®QS HQRD-6NA Series	
Consult tech. service or factory for additional dimmers	

10/27/2022



TML-3241R **Reflector**
 -HC = Haze Clear
 -PR = Pewter
 -CP = Champagne
 -WH = White Painted
 O.D.: 3-11/16"



TML-3241R-WH-WH

TML-3241B **Baffle**
 -WH = White
 -BK = Black
 O.D.: 3-11/16"



TML-3241B-WH-WH

TML-3281 **Gimbal Adjustable**
 -WH = White
 -BK = Black
 O.D.: 3-11/16"



TML-3281-WH-WH

TML-3250 **Frosted Shower Lens**
 -WH = White
 O.D.: 3-11/16"



TML-3250-WH

Ordering Information

Housing	Trim	-Watts	-CRI	Color*	-Finishes*	-Trim Ring Finish*	-Voltage
LEDH-RT3ICA = 3" IC Air-tight New Construction	TML-3241R = Reflector TML-3241B = Baffle TML-3281 = Gimbal Adjustable TML-3250 = Frosted Shower Lens	-10DOB = 10W Triac/ELV Dimming	-8 = 80 -9 = 90	27 = 2700K 30 = 3000K 35 = 3500K 40 = 4000K	Reflector: -HC = Haze Clear -PR = Pewter -CP = Champagne -WH = White Painted Baffle: -WH = White -BK = Black	-WH = White -BK = Black	-120V

Example : LEDH-RT3ICA

TML-3241R-10DOB-830-HC-WH-120V

* Consult factory for other Color Temperatures and Finishes