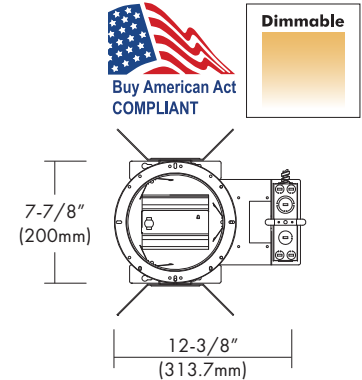
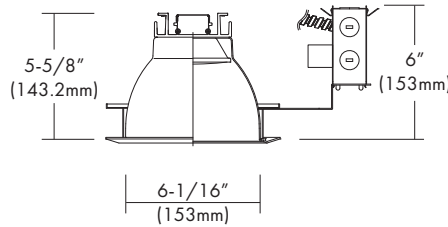


# LEDH-AFK6 For High Wattage (50W,60W,70W)

120~277 VAC, 6" Non-IC Type, High Wattage Output (HO) LED Architectural Frame-in Kit Down Light with interchangeable Reflector Trims

|             |  |      |
|-------------|--|------|
| Catalog #   |  | Type |
| Project     |  | Date |
| Prepared by |  |      |

## 6" LED Architectural Frame-in Kit



Ceiling Cut-out : 6"-1/2"

### DESCRIPTION

The LEDH-AFK6 is a 6" LED Architectural frame-in Kit and is available with multiple Trim styles. Designed for use in non-insulated ceilings, Insulation material must be kept a minimum of 3" from fixture. Available with a 50W, 60W or 70W high efficacy LED engine and Tri-Mode Dimmable drivers. The special optical diffuser produces high lumen transmission and even illumination. Suitable for Wet Locations.

### DESIGN FEATURES

#### Mounting Ring

- 20-gauge CRS mounting ring, painted black. The 1-5/8" deep collar may be used with various ceiling material thicknesses.

#### LED Module & Trim

- Painted, extruded aluminum heat sink designed to facilitate efficient heat dissipation for superior thermal management and reliability.
- LED engine includes LED, heat sink and lens assembly.
- Heavy gauge aluminum reflector anodized in clear haze or white paint finishes. Multiple trim styles and finishes are available.

#### LED Driver

- Tri-Mode Dimming: 0-10V, Triac & ELV
- Drivers feature power factor >.90, THD <20% with integral thermal protection to sense over temperature or electrical issues.
- Driver mounts externally to the module to allow future replacement or upgrading if desired.

#### Mounting Channel Bracket

- Commercial mounting kit provides up to 5" vertical adjustment and accommodates 1/2" EMT conduit. Provided with HBC-24 bar hanger or lathing channels for T-bar grid or concealed spline ceiling are also available.

#### Junction Box

- Listed for through branch circuit wiring. (Max.8 No 12 AWG 90°C branch circuit conductors: 4 in, 4 out)
- (5) 1/2" knockouts with pry-out slots and (4) knockouts with Romex cable clamps.
- Ground wire provided on J-box.

#### Options

- Emergency battery back-up : Available in mounted to fixture or remote adjacent to luminaire (consult with factory for space requirements).

#### Limited Warranty

- LED Module: 5 years/50K hours
- Product/Driver: 3 years

#### Listing

- cETLus Damp Location

| SPECIFICATION     |                            |       |       |
|-------------------|----------------------------|-------|-------|
| Input Voltage     | 120-277VAC                 |       |       |
| Wattage (+/-5%)   | 50W                        | 60W   | 70W   |
| Lumen (+/-5%)     | 5,000                      | 6,000 | 7,000 |
| Efficacy (LPW)    | 100                        | 100   | 100   |
| Beam Angle        | 24°                        | 24°   | 24°   |
| CRI (Typical)     | 80, 90                     |       |       |
| CCT (Color +/-5%) | 2700K, 3000K, 3500K, 4000K |       |       |
| Dimming           | 0-10V, ELV & TRIAC         |       |       |
| LED Module        | 5 yr/50K hr                |       |       |
| Environment       | Wet Location               |       |       |

#### Triac Approved Dimmers

- \* Lutron: NovaT (Ntelv 300&600)  
Diva (Dvelv-300P&303P)
- \* Leviton: Acenti: Ate06-1Lw
- \* Leviton Trimatron #705W (incandescent)

#### 0-10V Approved Dimmers

- \* Lutron: Nova® 0-10V : NTFTV  
Diva® 0-10V : DVTV
- \* Leviton: Decora 0-10V : IP710DL

Consult tech. service or factory  
for additional dimmers

\* Provided: Easy-quick connector case  
(patent pending)



**TRIM**



**LEDT-R64**  
Specular Open Reflector

\* Wide beam reflector is standard. Also available narrow beam in reflector (consult with factory).  
\* Rated for damp location.

**Ordering Information**

**Model**

**LEDH-AFK6** = 6", Non-IC, Architectural  
Frame-in Down Light Kit

**-Watts**

**-50** = 50W  
**-60** = 60W  
**-70** = 70W

**-CRI**

**-8** = 80  
**-9** = 90

**Color Temp.\*\***

**27** = 2700K  
**30** = 3000K  
**35** = 3500K  
**40** = 4000K

**Driver\***

**UZTD** = 120~277V, 0-10V, Triac & ELV:  
1-100% Dimming

\*Option

**-EM** = Emergency Battery Backup

**Trim**

**LEDT-R64**

**-Reflector Finish\*\***

**-HC** = Haze Clear  
**-WH** = White Painted

**Optional Metal Trim Ring Finish**

**-WH** = White Plastic Trim Ring (Standard)  
**-WMR** = White Metal Ring  
**-SN** = Satin Nickel  
**-CH** = Chrome  
**-SF** = Polished Self-Flange

\*\* Consult factory for other Color Temperatures and Finishes