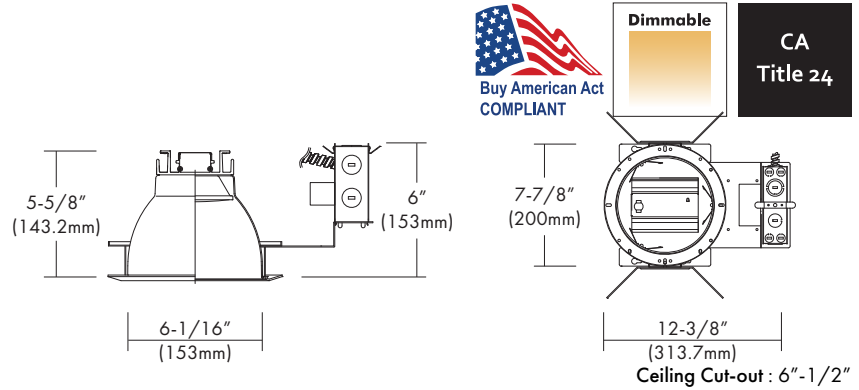


# LEDH-AFK6-G2

120V-277VAC LED 6", Non-IC, Architectural Frame-in Kit  
Down Light with interchangeable Reflector Trims

|             |  |      |
|-------------|--|------|
| Catalog #   |  | Type |
| Project     |  | Date |
| Prepared by |  |      |

## 6" LED Architectural Frame-in Kit



### DESCRIPTION

The LEDH-AFK6-G2 is a 6" LED Architectural frame-in Kit and is available with multiple Trim styles. Designed for use in non-insulated ceilings, Insulation material must be kept a minimum of 3" from fixture. Available with a 10W, 14W, 22W, 32W or 44W high efficacy LED engine and universal, dimmable drivers. The special optical diffuser produces high lumen transmission and even illumination. Suitable for Wet Locations.

### DESIGN FEATURES

#### Mounting Ring

- 20-gauge CRS mounting ring, painted black. The 1-5/8" deep collar may be used with various ceiling material thicknesses.

#### LED Module & Trim

- Painted, extruded aluminum heat sink designed to facilitate efficient heat dissipation for superior thermal management and reliability.
- LED engine includes LED, heat sink and lens assembly.
- Heavy gauge aluminum reflector anodized in clear haze or white paint finishes. Multiple trim styles and finishes are available.

#### LED Driver

- Universal, 120~277V input, high efficacy drivers with dimming capability by ① a Triac 120V low voltage electronic dimmer switches or ② 0-10V, Triac & ELV dimmer switches.
- Drivers feature power factor >.90, THD <20% with integral thermal protection to sense over temperature or electrical issues.
- Driver mounts externally to the module to allow future replacement or upgrading if desired.
- Optional Lutron Hi-lume A-Series, LED drivers and EcoSystem 5-Series LED drivers are available. Lutron drivers provide flicker-free, smooth, continuous dimming down to 1% for Hi-lume and 5% for EcoSystem. (Contact factory for dimming system requirements)

#### Mounting Channel Bracket

- Commercial mounting kit provides up to 5" vertical adjustment and accommodates 1/2" EMT conduit. Optional HBC-24 bar hanger for T-bar grid or concealed spline ceiling are also available.

#### Junction Box

- Listed for through branch circuit wiring. (Max.8 No 12 AWG 90°C branch circuit conductors: 4 in, 4 out)
- (5) 1/2" knockouts with pry-out slots and (4) knockouts with Romex cable clamps.
- Ground wire provided on J-box.

#### Options

- Emergency battery back-up : Available in mounted to fixture or remote adjacent to luminaire (consult with factory for space requirements).

#### Limited Warranty

- LED Module: 5 years/50K hours
- Product/Driver: 3 years

#### Listing

- California Title 24
- cCSAus

| SPECIFICATION     |                            |          |          |          |          |
|-------------------|----------------------------|----------|----------|----------|----------|
| Input Voltage     | 120-277VAC                 |          |          |          |          |
| Wattage (+/-5%)   | 10W                        | 14W      | 22W      | 32W      | 44W      |
| Lumen (+/-5%)     | 1,000lm                    | 1,400lm  | 2,200lm  | 3,200lm  | 4,400lm  |
| Efficacy (LPW)    | 100lm/W                    | 100 lm/W | 100 lm/W | 100 lm/W | 100 lm/W |
| Beam Angle        | 67.7°                      | 75°      | 75.5°    | 77°      | 77°      |
| CRI (Typical)     | 80, 90                     |          |          |          |          |
| CCT (Color +/-5%) | 2700K, 3000K, 3500K, 4000K |          |          |          |          |
| Available Dimming | Triac/ ELV/ 0~10V/ Lutron  |          |          |          |          |
| LED Module        | 5 yr/50K hr                |          |          |          |          |
| Environment       | Damp & Wet Location        |          |          |          |          |

#### Triac Approved Dimmers

- \* Lutron: NovaT (Ntelv 300&600)  
Diva (Dvelv-300P&303P)
- \* Leviton: Acenti: Ate06-1Lw
- \* Leviton Trimatron #705W (incandescent)

#### 0-10V Approved Dimmers

- \* Lutron: Nova® 0-10V : NTFTV  
Diva® 0-10V : DVTV
- \* Leviton: Decora 0-10V : IP710DL

Consult tech. service or factory  
for additional dimmers

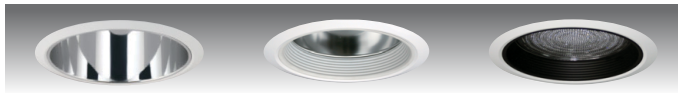
\* Provided: Easy-quick connector case  
(patent pending)



01/31/2024



## TRIM



**LEDT-R64**  
Specular Open Reflector

**LEDT-R614**  
Baffle w / Reflector

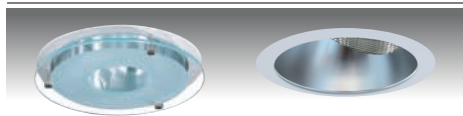
**LEDT-R641**  
Baffle w /  
Regressed Lens



**LEDT-R622**  
Reflector w /  
Regressed Lens

**LEDT-R636**  
Wall Wash w /  
Reflector Plate

**LEDT-R640**  
Reflector w /  
Frosted Floating Lens



**LEDT-R650**  
Reflector with Frosted 3.5"  
Center Hole Lens

**\*LEDT-6SR**  
Optional Sloped Ceiling  
Adaptor

\*Wide beam reflector is standard. Also available narrow beam in reflector(consult with factory).

\*All trims are rated for damp location and regressed lens trims are wet location listed.

\*LEDT-R641 & LEDT-R622 are suitable and rated for shower location.

## Ordering Information

### Housing

**LEDH-AFK6-G2** = 6", Non-IC, Architectural  
Frame-in Down Light Kit

### -Watts

**-10** = 10W (UZTD & UTMD Driver Only)  
**-14** = 14W  
**-22** = 22W  
**-32** = 32W  
**-44** = 44W

### -CRI

**-8** = 80  
**-9** = 90

### Color Temp.\*\*

**27** = 2700K  
**30** = 3000K  
**35** = 3500K  
**40** = 4000K

### Driver\*

**UTD** = 120~277VAC, Triac/ELV Dimming  
(14, 22 & 32W Only)

**UZTD** = 120~277VAC, 0~10V Dimming  
(10, 14, 22, & 32W Only)

**UTMD** = 120~277VAC, Tri-Mode(0~10V/Triac/ELV)  
Dimming (10, 14, 22, 32 & 44W)

**LDE1** = **LUTRON**, Hi-lume 1% EcoSystem FadeToBlack

**PEQ01** = **LUTRON**, Hi-lume Premier 0.1% EcoSystem  
FadeToBlack (For 23W or less only)

\*Option : Emergency

**-EM** = Emergency Battery Backup

### Trim

**LEDT-R64**  
**LEDT-R614**  
**LEDT-R641**  
**LEDT-R622**  
**LEDT-R636**  
**LEDT-R640**  
**LEDT-R650**

\*Option :

**-LEDT-6SR** = Sloped Ceiling Adaptor

### -Reflector Finish\*\*

**-HC** = Haze Clear

**-WH** = White Painted

### Baffle Finish for LEDT-R614 & R641

**-WH** = White

**-BK** = Black

### Optional Metal Trim Ring Finish

**-WH** = White Plastic Trim Ring (Standard)

**-WMR** = White Metal Ring

**-SN** = Satin Nickel

**-CH** = Chrome

**-SF** = Polished Self-Flange (for Open or  
Wall Wash Reflectors ONLY)

\*\* Consult factory for other Color Temperatures and Finishes