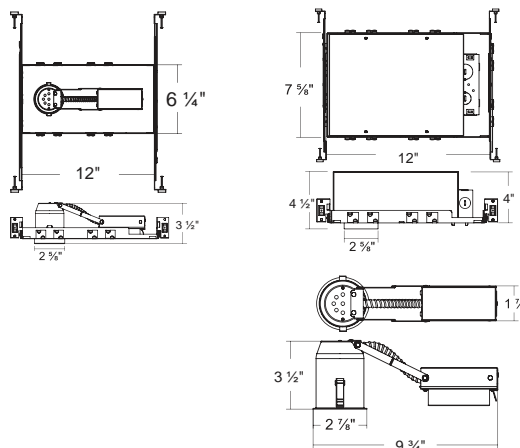
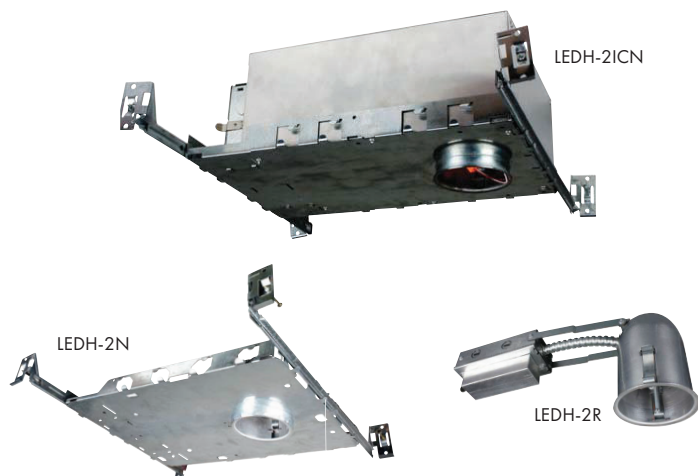


LEDH-2 Series

120VAC, 2" IC and Non-IC LED Recessed Downlights

Catalog #		Type
Project		Date
Prepared by		

2" LED



DESIGN FEATURES

Housing

- Galvanized steel construction.
- Selective models for use with insulated and non-insulated ceilings.
- Housing on IC (direct contact, insulated ceiling) model can be removed from frame to provide access to junction box.

Applications

- Energy saving LED can and module for new construction as well as remodel applications.
- 75% energy savings in comparison to incandescent sources.

Illumination

- Long life LEDs with up to 50,000 hours at 70% lumen maintenance.
- Uses high power, high quality LEDs.
- Produces 600 lumens output from luminaire with a CCT of 3000K.
- Dimmable with most standard incandescent and low voltage dimmers.

Electrical

- LED driver with 120V input voltage.
- CRI ≥ 90 .
- Power consumption: 9 watts.

Mounting

- Integral T-bar installation slots on new construction models.
- Two clips provided to secure can to housing on remodel cans.
- Bar hangers on new construction models are adjustable from 13 5/8" to 25" and can be repositioned 90° on plaster frame.
- Pre-installed real nail on new model easily installs in regular and engineered lumber.

Limited Warranty

- LED Module: 5 years/50K hours
- Product: 3 years

Listing

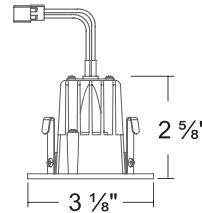
- cULus Listed for damp and wet locations (not suitable for coastal/salt water area).
- ENERGY STAR
- California Title 24
- Tested in accordance with IESNA LM79 & LM80.
- Operating temperatures of -30°C to 40°C.
- Certified under ASTM-E283 for airtight construction (new construction, IC models only).

SPECIFICATION	
Input Voltage	120VAC
Wattage (+/-5%)	9W
Lumen (+/-5%)	600lm
Efficacy (LPW)	67lm/W
CRI (Typical)	90
CCT (Color +/-5%)	3000K
Dimming	Triac
LED Module	5 yr/50K hr
Environment	Wet Location

2" Trims/Modules*

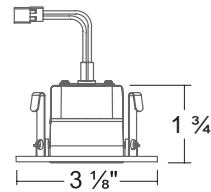
2" LED

LEDT-2T-BW-SQ-3K White Square Baffle



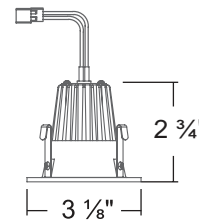
LEDT-2T-BW-SQ-3K

LEDT-2T-GRW-SQ-3K White Adjustable Square Gimbal



LEDT-2T-GRW-SQ-3K

LEDT-2T-BW-3K White Baffle



LEDT-2T-BW-3K

* Contact Factory for IES File

Ordering Information

Housing

LEDH-2N-AT-QN = 2" Non-IC, new construction can with 120VAC LED Dimmable Driver

LEDH-2ICN-AT-QN = 2" IC, new construction can with 120VAC LED Dimmable Driver

LEDH-2R-Q = 2" Non-IC, remodel can with 120VAC LED Dimmable Driver

Trim / Module

LEDT-2T-BW-SQ-3K = 2" Square White Baffle, 120VAC 9W LED, 90 CRI/3000K, White Trim

LEDT-2T-GRW-SQ-3K = 2" Adjustable Square White Gimbal, 120VAC 9W LED, 90 CRI/3000K, White Trim

LEDT-2T-BW-3K = 2" Round White Baffle, 120VAC 9W LED, 90 CRI/3000K, White Trim

Example : **LEDH-2ICN-AT-QN**

LEDT-2T-GRW-SQ-3K