

LEDH-AFK 4", 6", 8" and 9" LED ARCHITECTURAL DOWNLIGHT INSTALLATION INSTRUCTIONS

! WARNING

1. Risk of Fire - Supply conductors (power wires) connecting the fixture must be rated minimum 90 . If uncertain consult an electrician.
2. Risk of fire or electric shock. LED Retrofit Kit installation requires knowledge of luminaires electrical systems.
3. Risk of Fire/Electric Shock - If not qualified, do not attempt installation. Contact a qualified electrician.

CAUTIONS :

1. For your safety read and understand instructions completely before starting installation.
2. To prevent wiring damage or abrasion, do not expose wiring to edges of sheet metal or other sharp objects.
3. Before attempting installation, check your local electrical code, as it sets the wiring standards for your locality.

NOTES:

1. If luminaire (fixture) is to be switched from a wall switch, make sure black power supply wire is connected to the switch. **DO NOT** connect the white supply wire to the switch.
2. Make certain no bare wires are exposed outside the wire nut connectors.
3. Do not make or alter any open holes in an enclosure of wiring or electrical components during kit installation.

INSTALLATION

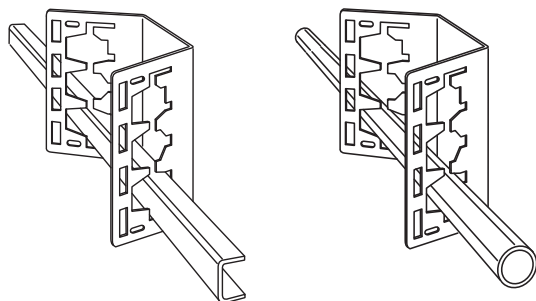
1. Mark a spot on the ceiling to indicate the fixture location.
2. Use this mark as a center point and scribe appropriate diameter circle on ceiling :
 - 1) 5-1/8" (for 4" fixtures)
 - 2) 6-1/2" (for 6" fixtures)
 - 3) 8-1/16" (for 8" fixtures)
 - 4) 9-3/4" (for 9" fixtures)
3. Cut hole accurately using proper cutting tool.

4. Install housing using adjustable mounting brackets (Fixture must be secured to structural ceiling members)
 - a.) With C-Channels as shown in Fig 1a.
 - b.) With 3/4" and 1-1/2" lathing, or 1/2" conduit (by others) as shown in Fig 1b.
 - c.) With Flat bar hangers (by others) as shown in Fig 1c.
5. Adjust the plaster ring by loosening wing nuts located on each of the hanging brackets (Fig 2).

FIGURE 1

1a : C-Channels

1b : 1/2" Conduit



1c : Bar hanger

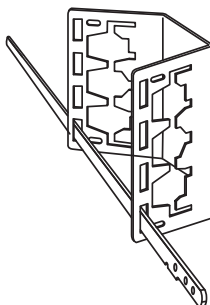
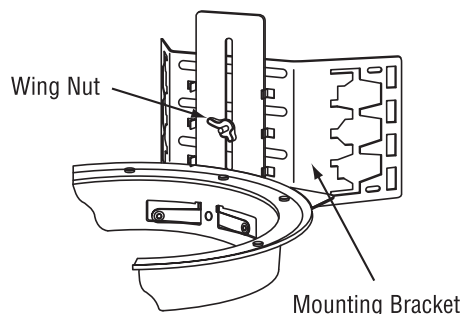


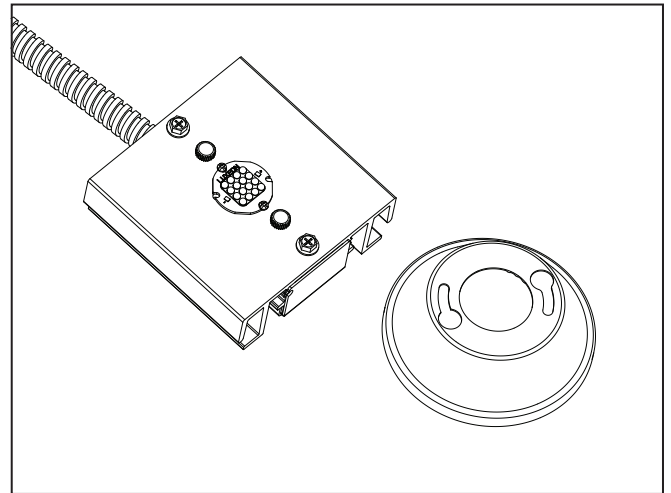
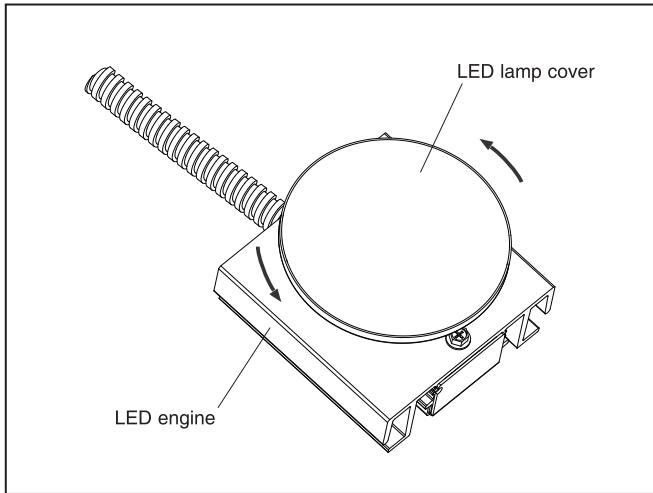
Figure 2



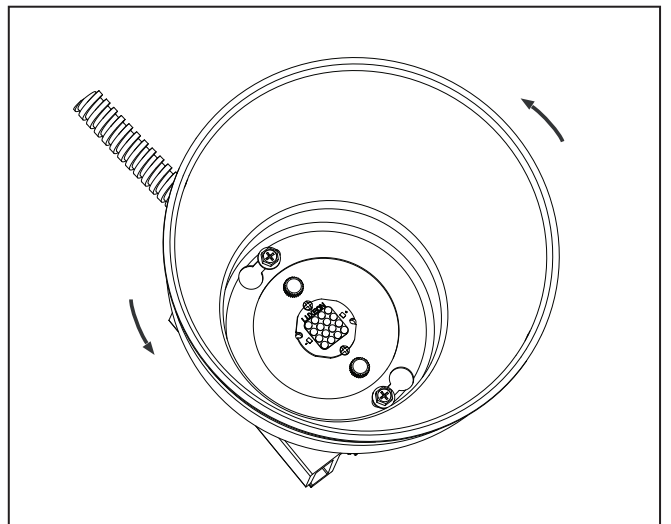
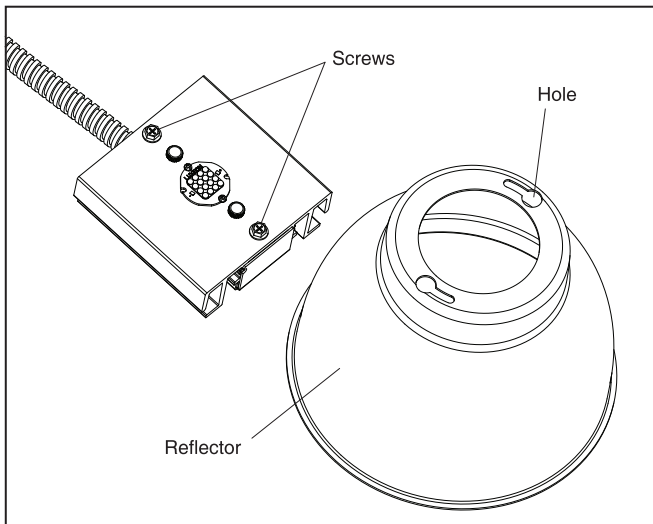
ELECTRICAL CONNECTION

1. Provide electrical service according to the "National Electrical Code" or your local electrical code to the junction box on the fixture frame.
2. Remove appropriate size knockout on fixture J-box for conduit connector.
3. Remove J-box cover to J-box by pushing up on spring clip. Attach Conduit with connector to J-box and secure (Fig. 3).
4. Connect supply wires to fixture wires and insulate with proper size wire nuts (not provided).
 - a.) Connect incoming ground wire (green or bare) to fixture ground wire (green or bare).
 - b.) Connect incoming common (white) wire to fixture common (white).
 - c.) Connect incoming hot (typically black) wire to fixture black wire.
5. Replace J-box cover.

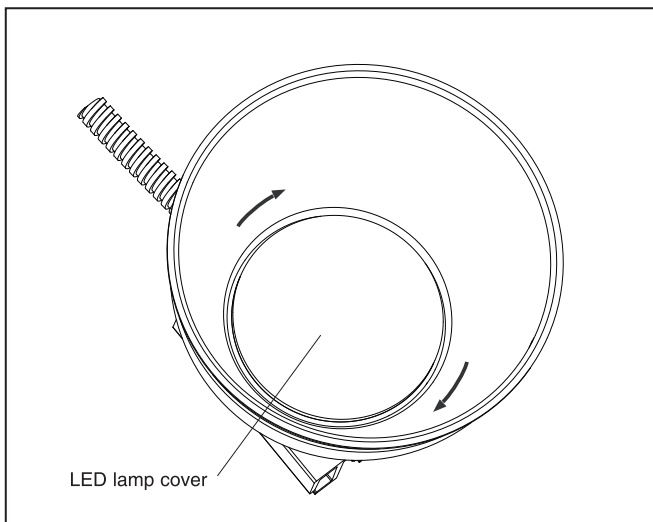
INSTRUCTIONS FOR ASSEMBLING REFLECTOR AND LED ENGINE



1. Remove LED lamp cover by gently twisting until it is able to detach from LED engine.

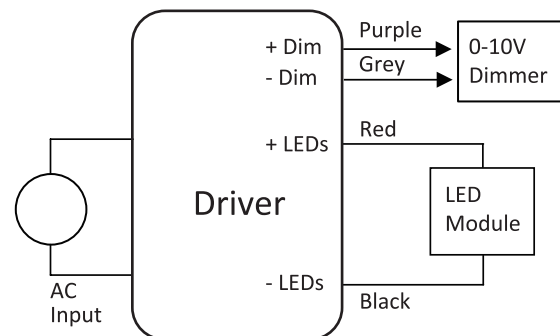


2. Assemble reflector by placing holes over attached screws, turn until locked and tighten if necessary on the LED engine.



3. Reattach the lamp cover by placing screws over the holes and twist until it is secure.

Wiring Diagram (For 0-10V)



LEDH-AFK 4", 6", 8" and 9" LED ARCHITECTURAL DOWNLIGHT INSTALLATION INSTRUCTIONS

Figure 3

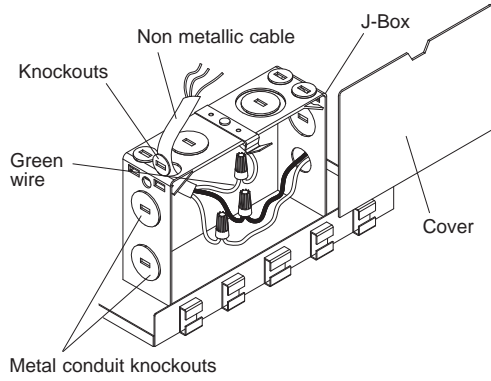
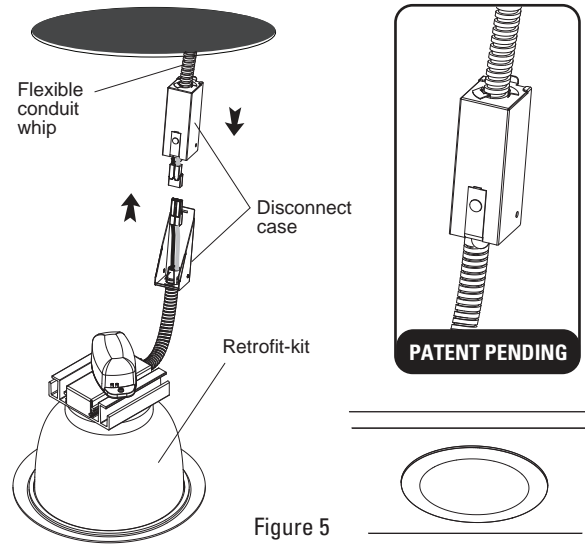


Figure 4



Installation Into Recessed housing

1. Plug the female connector of the retrofit-kit onto the male connector of the flexible conduit whip assembly. (Fig. 4)
2. Connect disconnect case (Patent pending) by snap-on fit.
3. Tuck flexible conduit whip into the housing and carefully push the retrofit-kit into existing housing. (Fig. 5)

Figure 5

