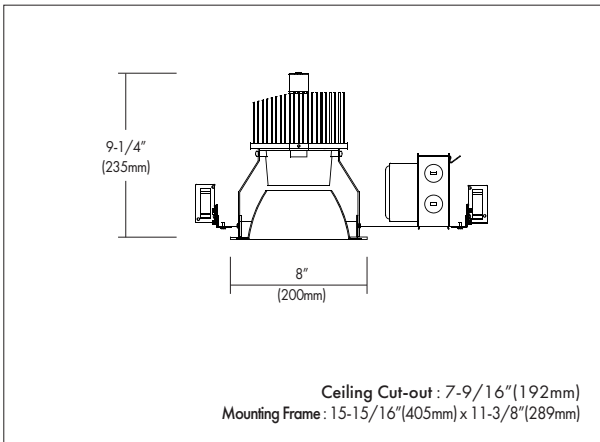


# DLED9582

120 or 277 VAC, 8" Non-IC Type LED Round Architectural Downlight



Test Specification				
[ DLED9582-xx ZTD1 TML865ST-xx-830W-WHWH ]				
LED Quantity	1 EA (COB)			
Input Voltage	120V and/or 277V			
Wattage (+/-5%)	<b>14W</b>	<b>23W</b>	<b>30W</b>	<b>45W</b>
Lumen (+/-5%)	1,090	2,060	2,790	3,360
Efficacy (LPW) (+/-5%)	77.9	89.6	93	74.7
Luminaire Beam	29°	36°	36°	36°
CCT (Color +/-5%)	2700K, 3000K, 3500K, 4000K			
CRI (Typical)	80, 90			
Dimming	0~10V, ELV & TRIAC Optional Lutron Drivers			
LED Module	5 yr or 50K hr			
Environment	Damp Location & *optional Wet Location			



## Design Features

- Interchangeable reflectors to achieve different beam distributions.
- Designed for ceiling thickness up to 1-1/4".
- Trims for straight downlight, adjustable and wall wash application.
- Sloped angle cut reflectors for directional adjustment for flexible illumination of targeted areas.
- 0~30° tilt and 358° rotation with positive locking.
- Dimming capability is standard with 0-10V dimmer switches.
- Optional Lutron Hi-lume A-Series, LED drivers and EcoSystem 5-Series LED drivers are available. Lutron drivers provide flicker-free, smooth, continuous dimming down to 1% for Hi-lume and 5% for EcoSystem. (Contact factory for dimming system requirements)
- Certified to IESNA LM-79: Approved Method for the Electrical and Photometric Testing of Solid State Lighting. The U.S. Department of Energy (DOE) verifies product test data and results. LED chip sets are in compliance with LM80.
- cETLus Listed.

**Trims :** Various finishes available for straight (ST), Adjustable (AJ) and wall wash (WW) down lights.



### TML865RST

Open straight reflector cone, with beam spread 60° FLD.

### TML825RAJ

Open sloped reflector for adjustable 0~30° angle on vertical and horizontal surfaces.

### TML825RGWW

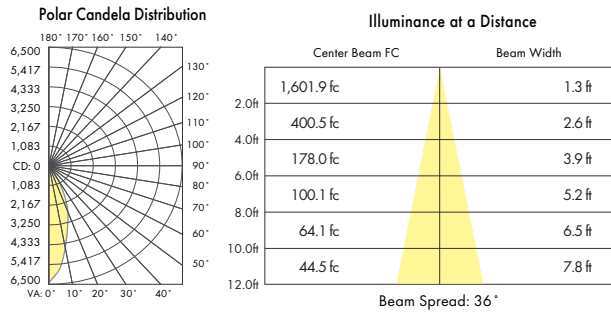
Slope angled reflector with spread lens for wall wash and wet location applications. Different distributions are achieved from upper reflectors: Narrow 24°, Medium 38° and Wide 60°.

# DLED9582

120 or 277 VAC, 8" Non-IC Type LED Round Architectural Downlight

## PHOTOMETRIC REPORT\*

\* Contact Factory for IES File



[TML865RST-30-830W]

## Ordering Information

### Housing

**DLED9582**

### -Watts

- 14 = 14W
- 23 = 23W
- 30 = 30W
- 45 = 45W

### Driver\*

ZTD = 0~10V, ELV & Triac dimmable  
(Dimming range varies from 1~10%)  
L1D = Lutron Hi-lume 1% dimming  
L5D = Lutron EcoSystem 5% dimming  
LTE = Lutron Hi-lume 1% 2-Wire dimming

\*Option : Emergency

-EM = Emergency Battery Backup

### Voltage\*

- 1 = 120V
- 2 = 277V

### Trim/LED Kit\*

TML865RST = Straight  
TML825RAJ = Adjustable  
TML825RGWW = Wall Wash

### -Wattage

- 14 = 14W
- 23 = 23W
- 30 = 30W
- 45 = 45W

### -CRI

- 8 = 80
- 9 = 90

### Color Temp.\*\*

- 27 = 2700K
- 30 = 3000K
- 35 = 3500K
- 40 = 4000K

### Beam Angle

Upper Reflector:  
NS = Narrow Spot 15°  
N = Narrow 24°  
M = Medium 38°  
W = Wide 60°

### -Finishes\*\*

Reflector:  
-WH = White  
-HC = Haze Clear

Trim:  
-WH = White  
-BK = Black

\*Option : Sealed Lens

-WRL = Wet Location

\*\* Consult factory for other Color Temperatures and Finishes