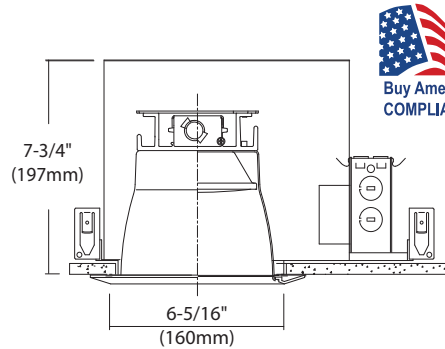


LEDH-CFK6ICA-G2

120V-277VAC LED 6", IC/AIR-TIGHT, Commercial Flat Frame-in Kit
Down Light with interchangeable Reflector Trims

Catalog #		Type
Project		Date
Prepared by		

6" LED Commercial Flat Frame-in Kit



DESCRIPTION

Ceiling Cut-out : 6"-1/2"

The LEDH-CFK6ICA-G2 is a 6" LED, IC/AIR-TIGHT Commercial Flat Frame-in Kit and is available with multiple Trim styles. Designed for use in non-insulated ceilings, Insulation material must be kept a minimum of 3" from fixture. Available with a 10W, 14W, or 22W high efficacy LED engine and universal, dimmable drivers. The special optical diffuser produces high lumen transmission and even illumination. Suitable for Wet Locations.

DESIGN FEATURES

Mounting Frame

- Galvanized steel construction.
- Housing adjusts for ceilings up to 1-1/4" thick.

LED Module & Trim

- Painted, extruded aluminum heat sink designed to facilitate efficient heat dissipation for superior thermal management and reliability.
- LED engine includes LED, heat sink and lens assembly.
- Heavy gauge aluminum reflector anodized in clear haze or white paint finishes. Multiple trim styles and finishes are available.

LED Driver

- Universal, 120~277V input, high efficacy drivers with dimming capability by ① a Triac 120V low voltage electronic dimmer switches or ② 0-10V, Triac & ELV dimmer switches.
- Drivers feature power factor >.90, THD <20% with integral thermal protection to sense over temperature or electrical issues.
- Driver mounts externally to the module to allow future replacement or upgrading if desired.
- Optional Lutron Hi-lume A-Series, LED drivers and EcoSystem 5-Series LED drivers are available. Lutron drivers provide flicker-free, smooth, continuous dimming down to 1% for Hi-lume and 5% for EcoSystem. (Contact factory for dimming system requirements)

Junction Box

- Listed for through branch circuit wiring. (Max.8 No 12 AWG 90°C branch circuit conductors: 4 in, 4 out)
- (5) 1/2" knockouts with pry-out slots and (4) knockouts with Romex cable clamps.
- Ground wire provided on J-box.

Bar Hangers

- 24" Bar Hangers provide stability and support on joists and T-Bar Grid ceilings.
- Housing can be positioned at any point within 24" joist spacing.
- Score lines allow easy "bend & snap-off" shortening for 12" joist spacing.

Options

- Emergency battery back-up : Available in mounted to fixture or remote, adjacent to luminaire (consult with factory for space requirements).

Limited Warranty

- LED Module: 5 years/50K hours
- Product/Driver: 3 years

Listing

- cETLus Wet Location
- ENERGY STAR
- California Title 24

SPECIFICATION			
Input Voltage	120-277VAC		
Wattage (+/-5%)	10W	14W	22W
Lumen (+/-5%)	1,000lm	1,400lm	2,200lm
Efficacy (LPW)	100 lm/W	100 lm/W	100 lm/W
Beam Angle	67.7°	75°	75.5°
CRI (Typical)	80, 90		
CCT (Color +/-5%)	2700K, 3000K, 3500K, 4000K		
Dimming	0-10V, ELV & TRIAC Optional Lutron Drivers		
LED Module	5 yr/50K hr		
Environment	Wet Location		

Triac Approved Dimmers

- * Lutron: NovaT (Ntelv 300&600)
Diva (Dvelv-300P&303P)
- * Leviton: Acenti: Ate06-1Lw
- * Leviton Trimatron #705W (incandescent)

0-10V Approved Dimmers

- * Lutron: Nova® 0-10V: NTFTV
Diva® 0-10V: DVTV
- * Leviton: Decora 0-10V: IP710DL

Consult tech. service or factory for additional dimmers

* Provided: Easy-quick connector case (patent pending)



08/13/2021



TRIM

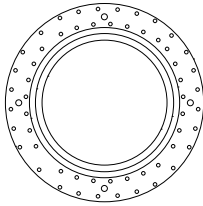


- *All trims are rated for damp location and regressed lens trims are wet location listed.
 *Wide beam reflector is standard. Also available narrow beam in reflector(consult with factory).
 *LEDT-R641 & LEDT-R622 are suitable and rated for shower location.

Option

LEDT-R64-MUD-RING

[6" Round Flangeless Mud Ring]



Ordering Information

Model _____
LEDH-CFK61CA-G2 = 6", IC/AIR-TIGHT,
 Commercial Flat Frame-in
 Down Light Kit

-Watts _____
-10 = 10W
-14 = 14W
-22 = 22W

-CRI _____
-8 = 80
-9 = 90

Color Temp.** _____
27 = 2700K
30 = 3000K
35 = 3500K
40 = 4000K

Driver* _____
UTD = 120~277VAC, Triac/ELV Dimming
UZTD = 120~277V, Triac/ELV/0-10V Dimming
LDE1 = **LUTRON**. Hi-lume 1% EcoSystem FadeToBlack
LTE = **LUTRON**. Hi-lume 1% 2-Wire Dimming
PEQ01 = **LUTRON**. Hi-lume Premier 0.1% EcoSystem
 FadeToBlack (For 23W or less only)
UDALI = **Universal** DALI Dimming to 1%

*Option : Emergency
-EM = Emergency Battery Backup
 MUST have access above ceiling

Trim _____
LEDT-R64
LEDT-R614
LEDT-R641
LEDT-R622
LEDT-R636
LEDT-R640
LEDT-R650

*Option :
-FT-6SR = Sloped Ceiling Adaptor
-LEDT-R64-MUD-RING = 6" Round Flangeless
 Mud Ring
 NOTE: Must order White
 Metal Trim Ring (**-WMR**)
 for Flangeless Trim.

-Reflector Finish** _____
-HC = Haze Clear
-WH = White Painted

Baffle Finish for LEDT-R614 & R641 _____
-WH = White
-BK = Black

Optional Metal Trim Ring Finish _____
-WH = White Plastic Trim Ring (Standard)
-WMR = White Metal Ring
-SN = Satin Nickel
-CH = Chrome
-SF = Polished Self-Flange (for Open or
 Wall Wash Reflectors ONLY)

** Consult factory for other Color Temperatures and Finishes