

# TMS12 Series

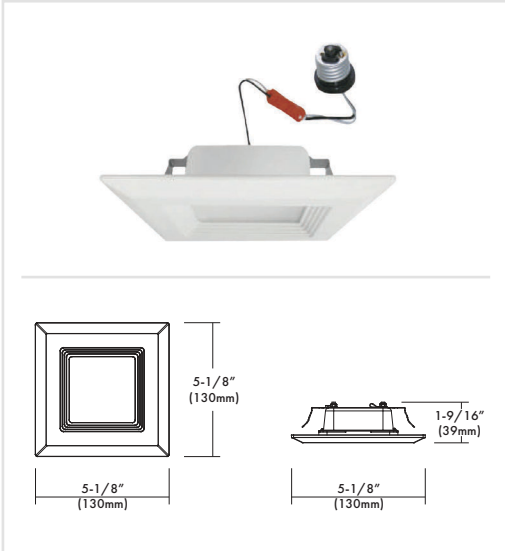
120 VAC 4" and 6" Square, IC/Airtight and Non-IC LED DoB, Recessed Retrokit with E26 and Optional GU24 Base Adapters

<b>DoB</b> Driver on Board AC Direct Module	Catalog #		Type
	Project		Date
	Prepared by		

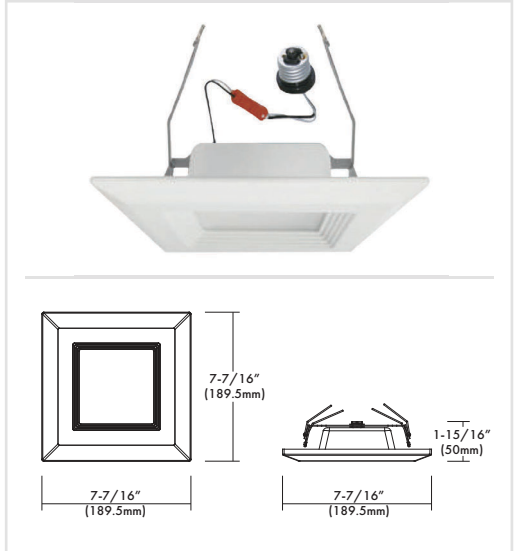
4" & 6" LED



[ TMS124 ]



[ TMS126 ]



## LED Square Recessed Mount

### DESCRIPTION

The 4" and 6" Square Retrokits are low profile recessed LED module & trim kits with an E26 medium screw base adaptor for 4" and 6" IC/Airtight and Non-IC incandescent recessed downlights. An Optional GU24 adapter for CFL housing is also available. They are designed for use with most 4" and 6" housings.

SPECIFICATION		
Input Voltage	120VAC	
Wattage (Typ)	<b>10 W</b>	<b>15 W</b>
Lumen (Typ)	700 (90CRI)	1,000 (90CRI)
Efficacy (LPW)	70 lm/W	66.5 lm/W
Compatible Housing	See Housing Compatibility section	
C R I (Typical)	80, 90	
Color (+/-5%)	2700K, 3000K, 3500K 4000K	
Dimming	Triac	

### FEATURES and FUNCTION

#### Features

- One piece light engine integrated with durable diecast aluminum housing.
- Easy Installation into housing via spring clips that is compatible with most 4" cans (TMS124) and 6" cans (TMS126).
- Heat treated, frosted glass provides a soft, luminous glow.
- 120VAC LED DoB module with integrated IC chip imbedded on board.
- E26 adaptor is standard, optional GU24 adaptor for CFL sockets available.
- Triac dimming standard.

#### Limited Warranty

- LED Module: 5 years/50K hours
- Product: 3 years

#### Listing

- cETL-us Damp Location
- ENERGY STAR
- California Title 24

### Ordering Information

\* Consult with factory for approved dimmers

Model	-CRI	Color Temp.*	Housing Finish*	-Voltage	-Options
TMS124 = 4" LED Square, 120VAC DoB, 10W Retrokit	-8 = 80 CRI -9 = 90 CRI	27 = 2700K 30 = 3000K 35 = 3500K 40 = 4000K	-WH = White	-DOB = 120VAC Driver on Board	-GU24A = GU24 Adapter
TMS126 = 6" LED Square, 120VAC DoB, 15W Retrokit					

Example : TMS124-830WH-DOB

\*\* Consult factory for other Color Temperatures and Finishes